

**Dear Customer,**

With this INFINEON Technologies Information Note we would like to inform you about the following

## **Harmonization of 330mm reel boxes for Tire Pressure Sensor products**

N° 125/20

## Harmonization of 330mm reel boxes for Tire Pressure Sensor products

► **Products affected:**

Please refer to attached affected product list 1\_cip12520

► **Detailed Change Information:**

**Subject:** Introduction of optimized box design and dimension for 330mm reels

**Reason:** Minimize the variety of box sizes and optimize the box design for 330mm reels at IFX worldwide.

**Description:**

Old

New

**Packing Box Design**

- See 3\_cip12520

**Packing Box Dimension**

- See 3\_cip12520

► **Product Identification:**

Traceability is ensured by lot number and date code.

► **Impact of Change:**

Infineon does not see any negative impact on quality, function, reliability, and process ability. No change of fit and form.

► **Attachments:**

Affected product list 1\_cip12520.  
Additional information 3\_cip12520.

► **Intended start of delivery:**

01-February-2021

If you have any questions, please do not hesitate to contact your local Sales office.

**Information Package to INF 2020-125**

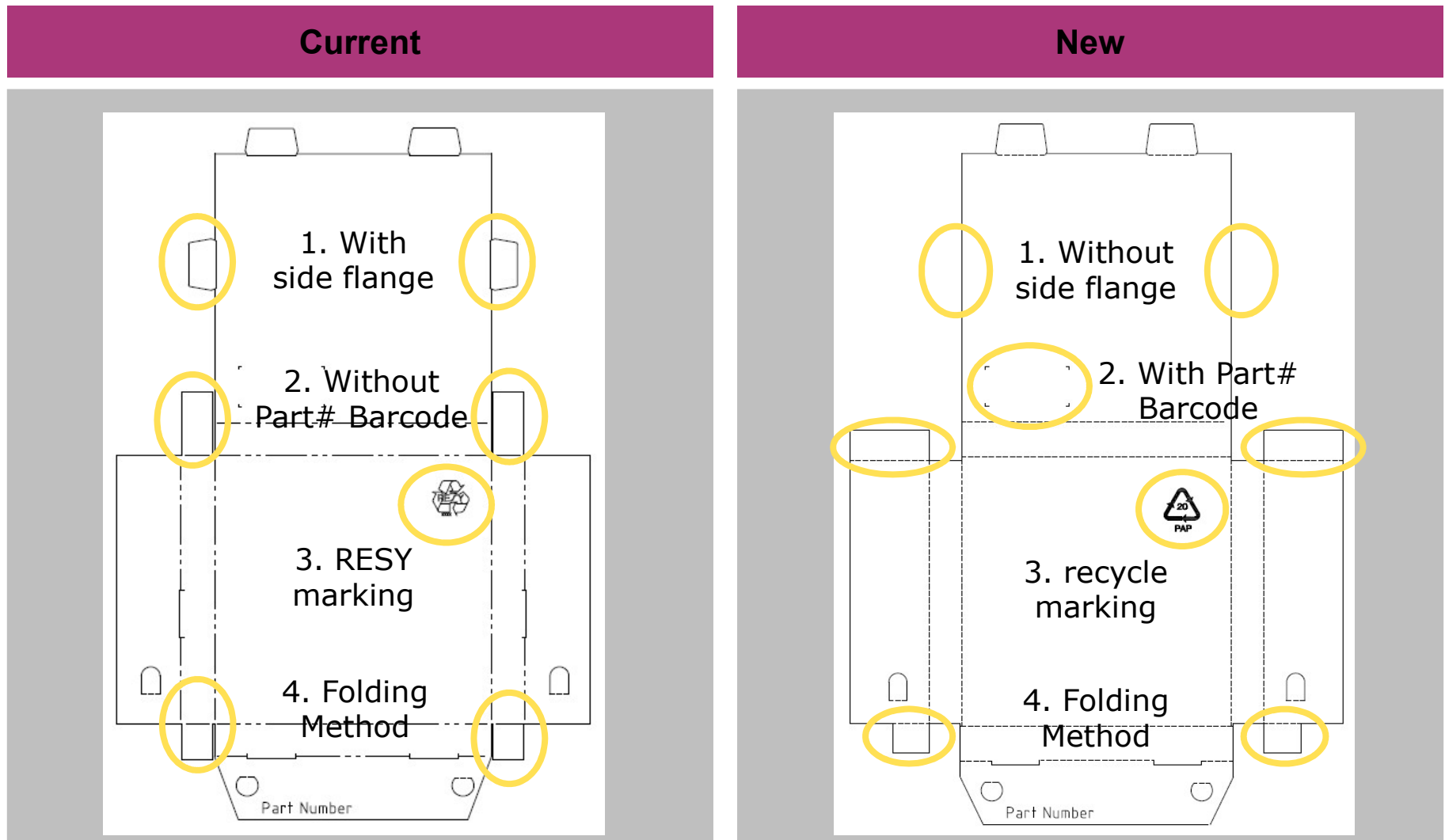
# **Harmonization of 330mm reel box**

Nov. 2020

- restricted -

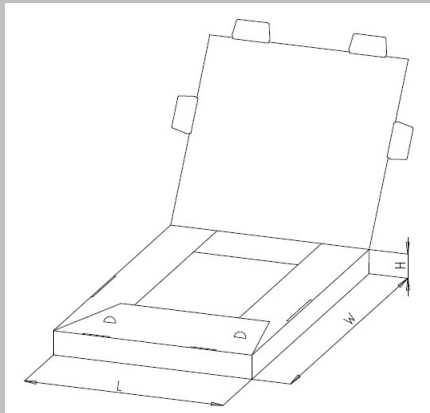


# Comparison of Packing Box Design



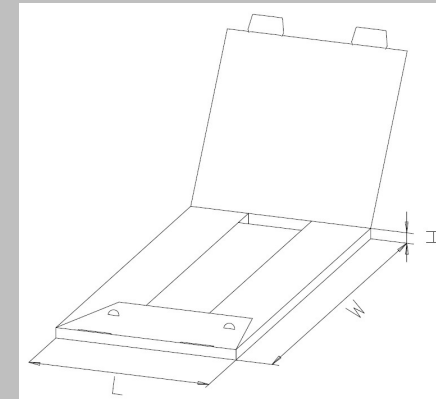
# Comparison of Packing Box Dimensions

## Current



	Inner Height (H) [mm]	Inner Length (L) [mm]	Inner Width (W) [mm]
SP3x	33	330	330
SP4x	25	340	340

## New



	Inner Height (H) [mm]	Inner Length (L) [mm]	Inner Width (W) [mm]
SP3x	33	340	340
SP4x	24	340	340



Part of your life. Part of tomorrow.