

## Features

- Drop-In Replacement for PT7C4363
- Supports High-ESR Crystals Up To 100kΩ
- Uses external 32.768kHz quartz crystal
- Supports I<sup>2</sup>C-Bus's high speed mode (400 kHz)
- Includes time (Hour/Minute/Second) and calendar (Year/Month/Date/Day) counter functions (BCD code)
- Programmable square wave output signal
- Oscillator stop flag
- Low backup current: typ. 400nA at V<sub>DD</sub>=3.0V and T<sub>A</sub>=25°C
- Operating Range: 1.3V to 5.5V
- MSL 1 Rating
- Totally Lead-Free & Fully RoHS Compliant (Notes 1 & 2)
- Halogen and Antimony Free. "Green" Device (Note 3)
- For automotive applications requiring specific change control (i.e. parts qualified to AEC-Q100/101/104/200, PPAP capable, and manufactured in IATF 16949 certified facilities), please [contact us](#) or your local Diodes representative.  
<https://www.diodes.com/quality/product-definitions/>
- Packaging (Pb-free & Green):
  - 8-pin, SOIC (W)
  - 8-Pin, WDFN (ZE)

## Description

The DIODES™ PT7C4363B serial real-time clock is a low-power clock/calendar with a programmable square-wave output.

Address and data are transferred serially via a 2-wire bidirectional bus. The clock/calendar provides seconds, minutes, hours, day, date, month, and year information. The date at the end of the month is automatically adjusted for months with fewer than 31 days, including corrections for leap year. The clock operates in the 24-hour format indicator.

Table 1 shows the basic functions of PT7C4363B. More details are shown in section: overview of functions.

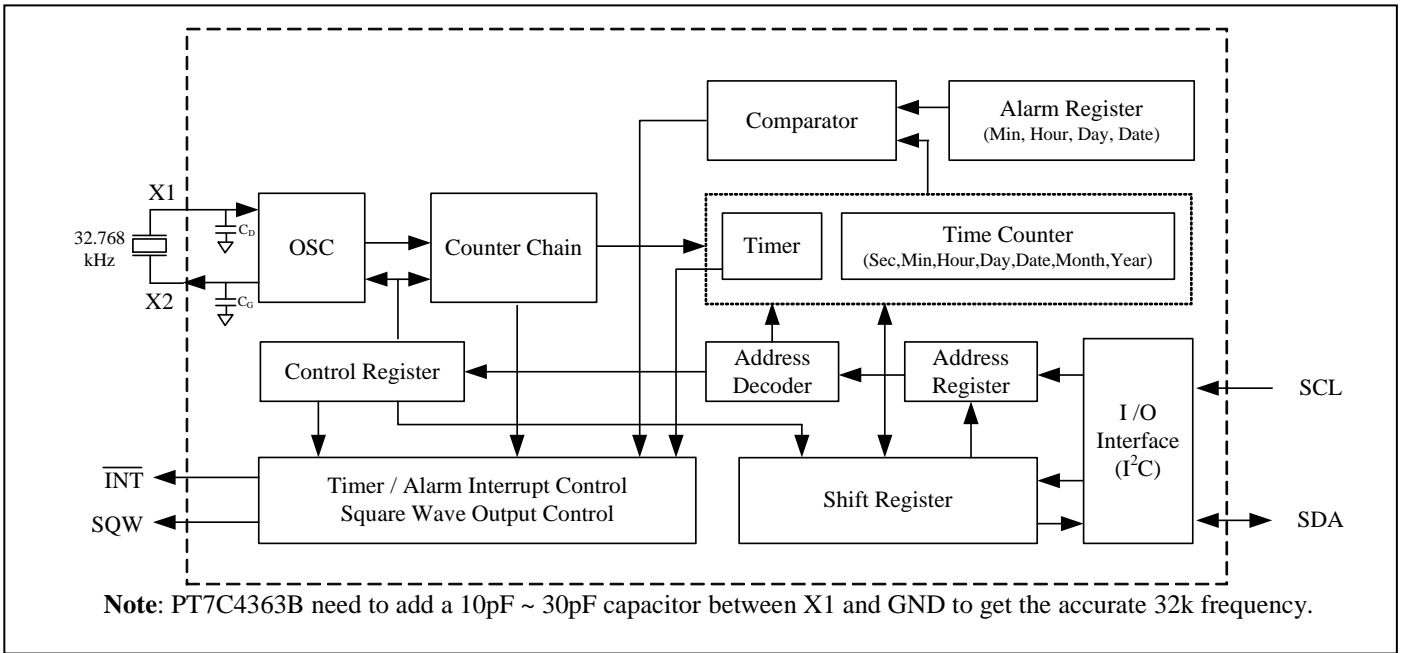
**Table 1. Basic Functions of PT7C4363B**

Item	Function		PT7C4363B	
1	Oscillator	Source: Crystal: 32.768kHz	√	
		Oscillator enable/disable	-	
		Oscillator fail detect	√	
2	Time	Time display	12-hour	-
			24-hour	√
		Century bit	√	
		Time count chain enable/disable	√	
3	Interrupt	Alarm interrupt	√	
		Timer interrupt output	√	
4	Programmable square wave output (Hz)		1, 32, 1.024k, 32.768k	
5	Communication	2-wire I <sup>2</sup> C bus	√	
		3-wire bus	-	
		Burst mode	-	
6	Control	Write protection	-	
		External clock test mode	√	
		Power-on reset override	√	

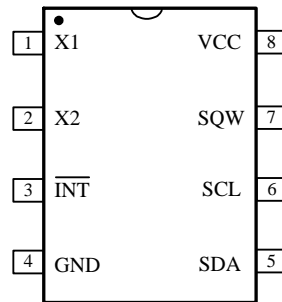
Notes:  
 1. No purposely added lead. Fully EU Directive 2002/95/EC (RoHS), 2011/65/EU (RoHS 2) & 2015/863/EU (RoHS 3) compliant.  
 2. See <https://www.diodes.com/quality/lead-free/> for more information about Diodes Incorporated's definitions of Halogen- and Antimony-free, "Green" and Lead-free.  
 3. Halogen- and Antimony-free "Green" products are defined as those which contain <900ppm bromine, <900ppm chlorine (<1500ppm total Br + Cl) and <1000ppm antimony compounds.

DIODES is a trademark of Diodes Incorporated in the United States and other countries.  
 The Diodes logo is a registered trademark of Diodes Incorporated in the United States and other countries.

**Function Block**



## Pin Configuration



## Pin Description

Pin#	Pin	Type	Description
1	X1	I	<b>Oscillator Circuit Input.</b> Together with X2, 32.768kHz crystal is connected between them.
2	X2	O	<b>Oscillator Circuit Output.</b> Together with X1, 32.768kHz crystal is connected between them.
3	INT	O	<b>Interrupt Output.</b> Open drain, active low.
4	GND	P	<b>Ground.</b>
5	SDA	I/O	<b>Serial Data Input/Output.</b> SDA is the input/output pin for the 2-wire serial interface. The SDA pin is open-drain output and requires an external pull-up resistor.
6	SCL	I	<b>Serial Clock Input.</b> SCL is used to synchronize data movement on the I <sup>2</sup> C serial interface.
7	SQW	O	<b>Clock Output.</b> Open drain. Four frequencies selectable: 32.768k, 1.024k, 32, 1Hz when SQWE bit is set to 1.
8	VCC	P	<b>Power.</b>

## Maximum Ratings

Storage Temperature.....	-65°C to +150°C
Ambient Temperature with Power Applied.....	-40°C to +85°C
Supply Voltage to Ground Potential (V <sub>CC</sub> to GND) .....	-0.3V to +6.5V
DC Input (All Other Inputs except V <sub>CC</sub> & GND).....	-0.3V to (V <sub>CC</sub> +0.3V)
DC Output Voltage (SDA, /INTA, /INTB pins).....	-0.3V to +6.5V
Power Dissipation.....	320mW (Depend on package)
ESD .....	2KV HBM

**Note:**

Stresses greater than those listed under MAXIMUM RATINGS may cause permanent damage to the device. This is a stress rating only and functional operation of the device at these or any other conditions above those indicated in the operational sections of this specification is not implied. Exposure to absolute maximum rating conditions for extended periods may affect reliability.

## Recommended Operating Conditions

Symbol	Description	Min.	Typ.	Max.	Unit
V <sub>CC</sub>	Power voltage	1.3	-	5.5	V
V <sub>IH</sub>	Input high level	0.7 V <sub>CC</sub>	-	V <sub>CC</sub> +0.3	
V <sub>IL</sub>	Input low level	-0.3	-	0.3 V <sub>CC</sub>	
T <sub>A</sub>	Operating temperature	-40	-	85	°C

## DC Electrical Characteristics

Unless otherwise specified, GND = 0V, V<sub>CC</sub> = 1.3 ~ 5.5 V, T<sub>A</sub> = -40 °C to +85 °C, f<sub>OSC</sub> = 32.768kHz.

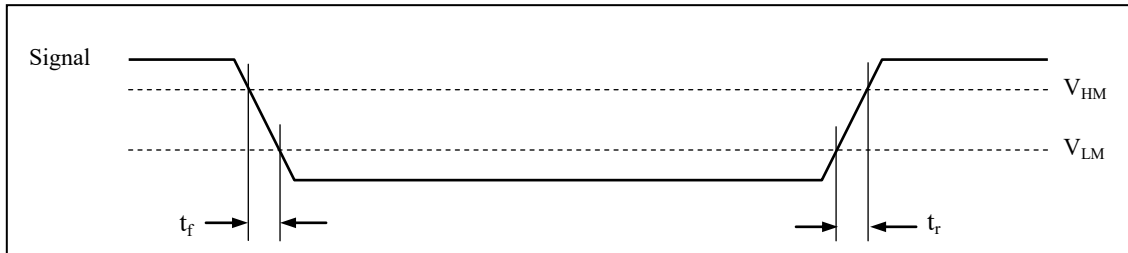
Symbol	Description	Pin	Conditions	Min.	Typ.	Max.	Unit	
V <sub>CC</sub>	Supply voltage	V <sub>CC</sub>	Interface inactive. T <sub>A</sub> = 25°C <sup>1)</sup>	1.1	-	5.5	V	
			Interface active. f <sub>SCL</sub> = 400kHz, T <sub>A</sub> = 25°C <sup>1)</sup>	1.3	-	5.5		
	Supply voltage for clock data integrity	V <sub>CC</sub>	-	1.1	-	5.5		
I <sub>CCA</sub>	Active Supply current	V <sub>CC</sub>	Interface active	f <sub>SCL</sub> = 400kHz	-	-	35	μA
				f <sub>SCL</sub> = 100kHz	-	-	15	
I <sub>CCS</sub>	Standby current	V <sub>CC</sub>	Interface inactive (f <sub>SCL</sub> = 0Hz), pin 7 disabled <sup>2)</sup> T <sub>A</sub> = -40~85°C	V <sub>CC</sub> = 5.0V	-	450	700	nA
				V <sub>CC</sub> = 3.0V	-	400	650	
			Interface inactive (f <sub>SCL</sub> = 0Hz), pin 7 enabled at 32kHz <sup>2)</sup> T <sub>A</sub> = -40~85°C	V <sub>CC</sub> = 5.0V	-	650	900	nA
				V <sub>CC</sub> = 3.0V	-	600	850	
V <sub>IL1</sub>	Low-level input voltage	SCL	-	0	-	0.3V <sub>CC</sub>	V	
V <sub>IH1</sub>	High-level input voltage	SCL	-	0.7V <sub>CC</sub>	-	V <sub>CC</sub>		
I <sub>OL</sub>	Low-level output voltage	SDA	V <sub>OL</sub> = 0.4V, V <sub>CC</sub> = 5V	-3	-	-	mA	
		/INT, SQW	V <sub>OL</sub> = 0.4V, V <sub>CC</sub> = 5V	-1	-	-		
I <sub>IL</sub>	Input leakage current	SCL	-	-1	-	1	μA	
I <sub>OZ</sub>	Output current when OFF	-	-	-1	-	1	μA	

Note:

- For reliable oscillator start-up at power-up: V<sub>CC(min)power-up</sub> = V<sub>CC(min)</sub> + 0.3 V.
- Timer source clock = 1/60 Hz, voltage of SCL and SDA is V<sub>CC</sub> or GND.

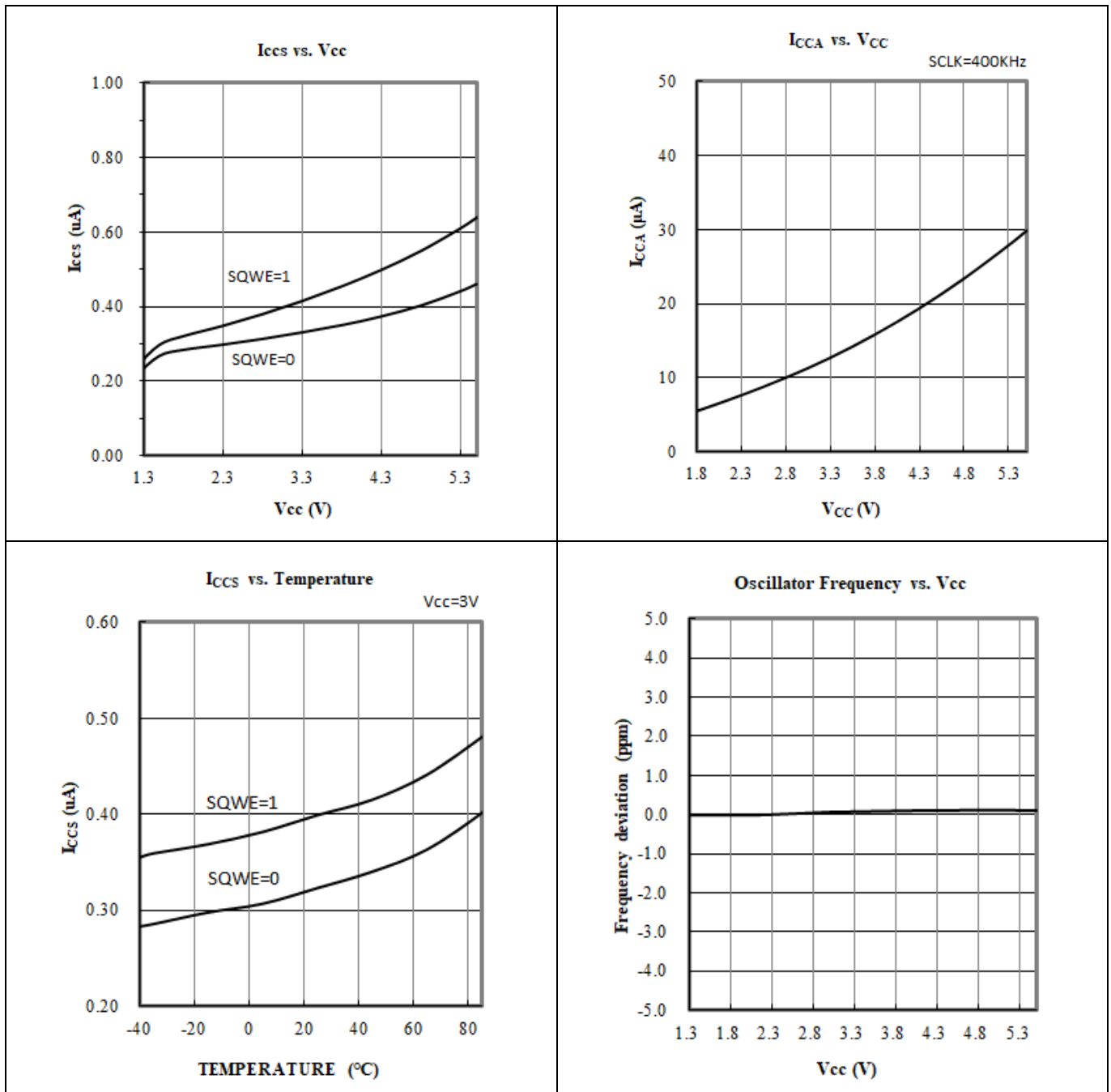
**AC Electrical Characteristics**

Symbol	Description	Value	Unit
$V_{HM}$	Rising and falling threshold voltage high	0.8 $V_{CC}$	V
$V_{HL}$	Rising and falling threshold voltage low	0.2 $V_{CC}$	V



**Typical Operation Characteristics**

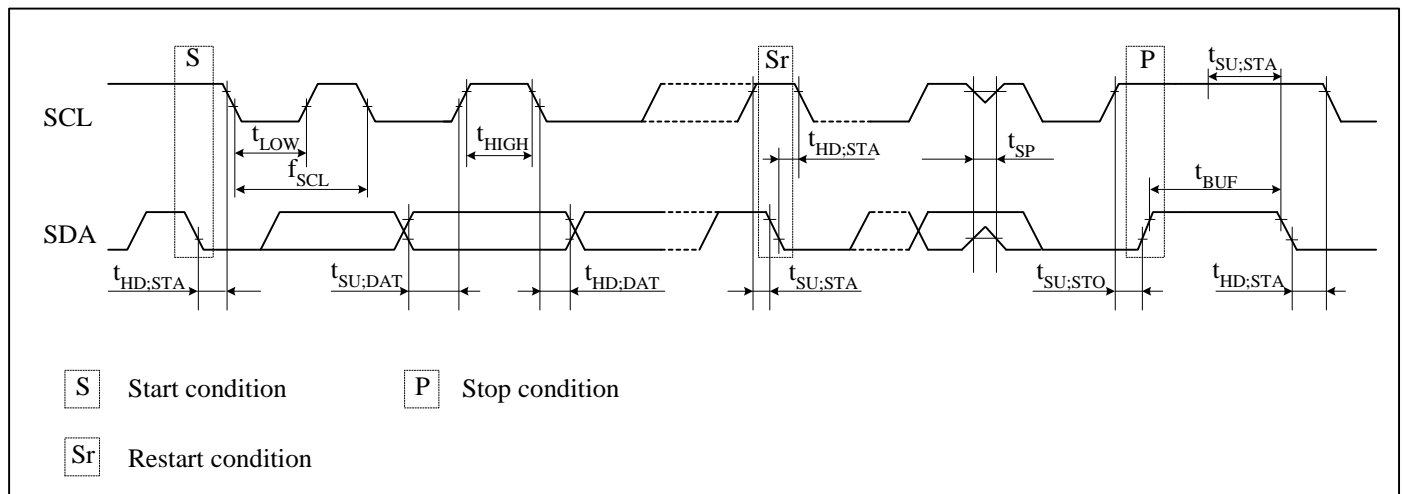
Unless otherwise specified,  $V_{CC} = 3.3V$ ,  $T_A = 25\text{ }^\circ\text{C}$



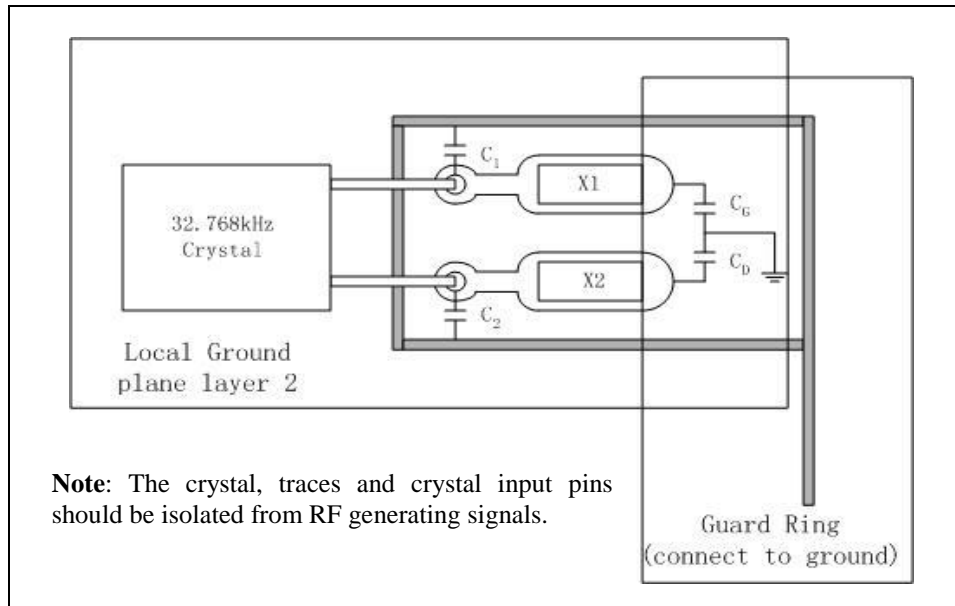
**Over the Operating Range**

Symbol	Item	Min.	Typ.	Max.	Unit
$f_{SCL}$	SCL clock frequency	-	-	400	kHz
$t_{SU:STA}$	START condition set-up time	0.6	-	-	$\mu$ s
$t_{HD:STA}$	START condition hold time	0.6	-	-	$\mu$ s
$t_{SU:DAT}$	Data set-up time (RTC read/write)	200	-	-	ns
$t_{HD:DAT1}$	Data hold time (RTC write)	35	-	-	ns
$t_{HD:DAT2}$	Data hold time (RTC read)	0	-	-	$\mu$ s
$t_{SU:STO}$	STOP condition setup time	0.6	-	-	$\mu$ s
$t_{BUF}$	Bus idle time between a START and STOP condition	1.3	-	-	$\mu$ s
$t_{LOW}$	When SCL = "L"	1.3	-	-	$\mu$ s
$t_{HIGH}$	When SCL = "H"	0.6	-	-	$\mu$ s
$t_r$	Rise time for SCL and SDA	-	-	0.3	$\mu$ s
$t_f$	Fall time for SCL and SDA	-	-	0.3	$\mu$ s
$t_{SP}^*$	Allowable spike time on bus	-	-	50	ns
$C_B$	Capacitance load for each bus line	-	-	400	pF

\* Note: Only reference for design.



## Recommended Layout for Crystal



## Built-in Capacitors Specifications and Recommended External Capacitors

Symbol	Parameter	Typ.	Unit	
$C_G$	Built-in capacitors	X1 to GND	5	pF
$C_D$		X2 to GND	20	pF
$C_1$	Recommended External capacitors	X1 to GND	20	pF
$C_2$		X2 to GND	0	pF

**Note:** The frequency of crystal can be optimized by external capacitor  $C_1$  and  $C_2$ , for frequency=32.768Hz,  $C_1$  and  $C_2$  should meet the equation as below:

$$C_{par} + [(C_1 + C_G) * (C_2 + C_D)] / [(C_1 + C_G) + (C_2 + C_D)] = C_L$$

$C_{par}$  is all parasitical capacitor between X1 and X2.

$C_L$  is crystal's load capacitance.

## Crystal Specifications

Symbol	Parameter	Min.	Typ.	Max.	Unit
$f_0$	Nominal Frequency	-	32.768	-	kHz
ESR	Series Resistance	-	-	100	k $\Omega$
$C_L$	Load Capacitance	-	12.5	-	pF



---

## Function Description

---

### Overview of Functions

#### 1. Clock Function

CPU can read or write data including the year (last two digits), month, date, day, hour, minute, and second. Any (two-digit) year that is a multiple of 4 is treated as a leap year and calculated automatically as such until the year 2100.

#### 2. Alarm Function

These devices have one alarm system that outputs interrupt signals from INT for PT7C4363B to CPU when the date, day of the week, hour, minute or second correspond to the setting. Each of them may output interrupt signal separately at a specified time. The alarm may be selectable between on and off for matching alarm or repeating alarm.

#### 3. Programmable Square Wave Output

A square wave output enable bit controls square wave output at pin 7. Four frequencies are selectable: 1, 32, 1.024k, and 32.768kHz.

#### 4. Interface with CPU

Data is read and written via the I<sup>2</sup>C bus interface using two signal lines: SCL (clock) and SDA (data).

Since the output of the I/O pin SDA is open drain, a pull-up resistor should be used on the circuit board if the CPU output I/O is also open drain.

The SCL's maximum clock frequency is 400 kHz, which supports the I<sup>2</sup>C bus's high-speed mode.

#### 5. Oscillator Fail Detect

When oscillator fail, OSF bit will be set.

#### 6. Oscillator Enable/Disable

Only time count chain can be enable or disable by STOP bit.

#### 7. Timer Function

The timer control register determines one of 4 source clock frequencies for the timer (4096 Hz, 64 Hz, 1 Hz, or 1/60 Hz) and enables or disables the timer. The timer counts down from software loaded 8-bit binary value. At the end of every countdown, the timer sets the Timer Flag (TF). The TF may only be cleared by software. The asserted TF can be used to generate an interrupt. The interrupt may be generated as a pulsed signal every countdown period or as a permanently active signal which follows the condition of TF. Bit TI/TP is used to control this mode selection. When reading the timer, the current countdown value is returned.

#### 8. Reset Function

The PT7C4363B includes an internal reset circuit which is active whenever the oscillator is stopped. In the reset state the I<sup>2</sup>C-bus logic is initialized and all registers, including the address pointer, are cleared with the exception of bits FE, OSF, TD1, TD0, TESTC and AE which are set to logic 1.

## Registers

### 1. Allocation of Registers

Addr. (hex) <sup>*1</sup>	Function (time range BCD format)	Register definition							
		Bit 7	Bit 6	Bit 5	Bit 4	Bit 3	Bit 2	Bit 1	Bit 0
00	Control/status 1	TEST1 <sup>*2</sup>	-	STOP <sup>*3</sup>	-	TESTC <sup>*4</sup>	-	-	-
01	Control/status 2	-	-	-	TI/TP <sup>*5</sup>	AF <sup>*6</sup>	TF <sup>*6</sup>	AIE <sup>*7</sup>	TIE <sup>*7</sup>
02	Seconds (00-59)	OSF <sup>*8</sup>	S40	S20	S10	S8	S4	S2	S1
03	Minutes (00-59)	×	M40	M20	M10	M8	M4	M2	M1
04	Hours (00-23)	×	×	H20	H10	H8	H4	H2	H1
05	Dates (01-31)	×	×	D20	D10	D8	D4	D2	D1
06	Days of the week (00-06)	×	×	×	×	×	W4	W2	W1
07	Months (01-12)	Century	×	×	MO10	MO8	MO4	MO2	MO1
08	Years (00-99)	Y80	Y40	Y20	Y10	Y8	Y4	Y2	Y1
09	Alarm: Minutes (00-59)	AE <sup>*9</sup>	M40	M20	M10	M8	M4	M2	M1
0A	Alarm: Hours (01-12)	AE <sup>*9</sup>	×	H20	H10	H8	H4	H2	H1
0B	Alarm: Dates (01-31)	AE <sup>*9</sup>	×	D20	D10	D8	D4	D2	D1
0C	Alarm: Weekday (00-06)	AE <sup>*9</sup>	×	×	×	×	W4	W2	W1
0D	SQW control	SQWE	×	×	×	×	×	RS1	RS0
0E	Timer control	TE <sup>*10</sup>	×	×	×	×	×	TD1 <sup>*11</sup>	TD0 <sup>*11</sup>
0F	Timer	Timer count down value							

Caution points:

\*1. PT7C4363B uses 8 bits for address. For excess 0FH address, PT7C4363B will not respond.

\*2. EXT\_CLK test mode select bit.

\*3. When the bit is logic 1, time count chain stops but oscillator still runs.

\*4. Power-on reset override enable bit.

\*5. Timer interrupt output select bit.

\*6. Alarm and timer interrupt flag bits.

\*7. Alarm and timer interrupt enable bits.

\*8. Oscillator fail indicates. Indicate clock integrity.

\*9. Alarm enable bit. Alarm will be active when related time is matching if AE = 0.

\*10. Timer enable bit.

\*11. Timer source clock frequency select.

\*12. All bits marked with "×" are not implemented. All bits marked with "-" are not used bits and should always be written with logic 0. If read them, they could be logic 0 or 1.

### 2. Control and Status Register

Addr. (hex)	Description	D7	D6	D5	D4	D3	D2	D1	D0
00	Control/status 1	TEST1	-	STOP	-	TESTC	-	-	-
	(default)	0	Undefined	0	Undefined	1	Undefined	Undefined	Undefined
01	Control/status 2	-	-	-	TI/TP	AF	TF	AIE	TIE
	(default)	Undefined	Undefined	Undefined	0	Undefined	Undefined	0	0
0D	SQW control	SQWE	×	×	×	×	×	RS1	RS0
	(default)	1	Undefined	Undefined	Undefined	Undefined	Undefined	0	0
0E	Timer control	TE	×	×	×	×	×	TD1	TD0
	(default)	0	Undefined	Undefined	Undefined	Undefined	Undefined	1	1
0F	Timer	Timer count down value							
	(default)	Undefined							

a) **Timer**

- **TE:** Timer Enable bit.

TE	Data	Description	
Read / Write	0	Timer disabled	Default
	1	Timer enabled	

- **TD1, TD0:** timer source clock frequency select. These bits determine the source clock for the countdown timer.

TD1, TD0	Data	Timer source clock freq. (Hz)	
Read / Write	00	4.096k	
	01	64	
	10	1	
	11	1/60	When not in use, TD1 TD0 should be set to 11 for power saving.

- **Timer:**

Timer	Data	Description	
Read / Write	00~FF	Count down value (n)	Countdown Period = n / Source Clock Frequency

For example: If TE = 1, TD1 TD0 = 10, Timer = 03 are written into PT7C4363B, timer counts down every 1 second from 03 to 01 then 03 cycled.

b) **Timer Interrupt**

- **TIE:** Timer Interrupt Enable bit.

TIE	Data	Description	
Read / Write	0	Timer interrupt disabled	Default
	1	Timer interrupt enabled	

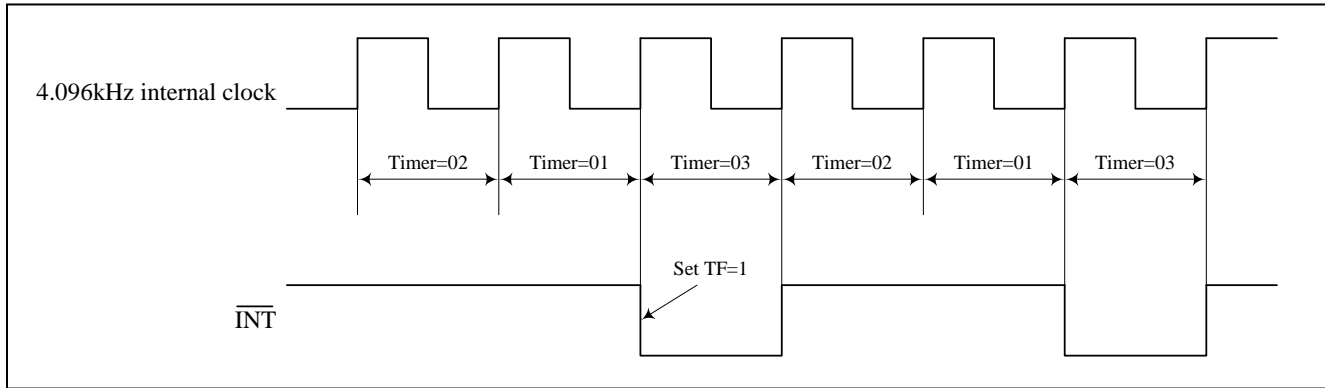
- **TF:** Timer Flag

TF	Data	Description
Read	0	Timer flag inactive
	1	Timer flag active. At the end of a timer countdown, TF is set to 1.
Write	0	Timer flag is cleared
	1	Timer flag remains unchanged

- **TI/TP:** Timer Interrupt output select

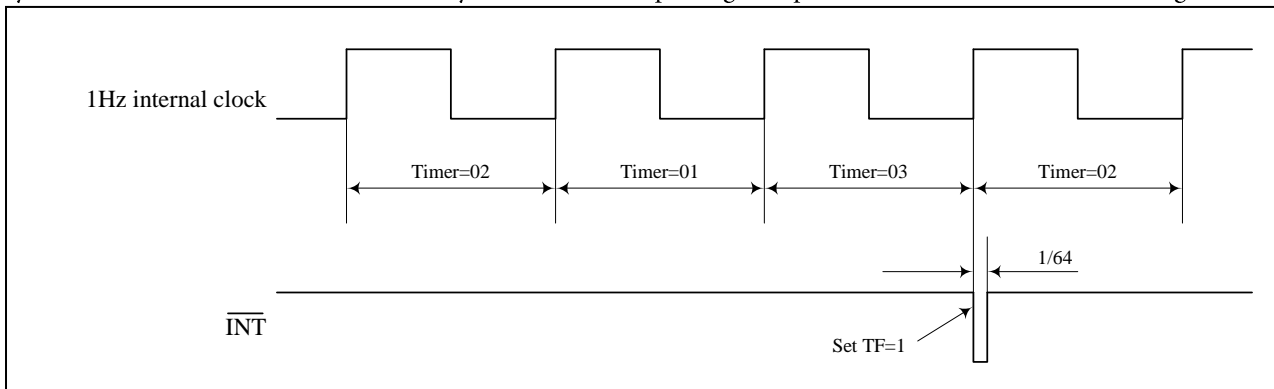
TI/TP	Data	Description																
Read / Write	0	$\overline{\text{INT}}$ is active when TF is active (subject to the status of TIE)																
	1	<p><math>\overline{\text{INT}}</math> pulses active according to source clock frequency and timer count down value (subject to the status of TIE).</p> <table border="1" style="margin-left: auto; margin-right: auto;"> <thead> <tr> <th rowspan="2">Source clock (Hz)</th> <th colspan="2">INT negative pulse width (s)</th> </tr> <tr> <th>n = 1</th> <th>n &gt; 1</th> </tr> </thead> <tbody> <tr> <td>4096</td> <td><math>1/8192</math></td> <td><math>1/4096</math></td> </tr> <tr> <td>64</td> <td><math>1/128</math></td> <td><math>1/64</math></td> </tr> <tr> <td>1</td> <td><math>1/64</math></td> <td><math>1/64</math></td> </tr> <tr> <td>1/60</td> <td><math>1/64</math></td> <td><math>1/64</math></td> </tr> </tbody> </table> <p>Note: TF and INT become active simultaneously. n = loaded countdown value. Timer stopped when n = 0.</p>	Source clock (Hz)	INT negative pulse width (s)		n = 1	n > 1	4096	$1/8192$	$1/4096$	64	$1/128$	$1/64$	1	$1/64$	$1/64$	1/60	$1/64$
Source clock (Hz)	INT negative pulse width (s)																	
	n = 1	n > 1																
4096	$1/8192$	$1/4096$																
64	$1/128$	$1/64$																
1	$1/64$	$1/64$																
1/60	$1/64$	$1/64$																

*Example 1:* If TE = 1, TD1 TD0 = 00, Timer = 03, TIE = 1, TF = 0, TI/TP = 1 are written into PT7C4363B, timer register counts down every  $1/4.096\text{kHz}$  seconds from 03 to 01 then 03 cycled and INT output negative pulse with  $1/4096$  seconds width. See Fig.1.



**Figure 1. Example 1 of Timer Interrupts**

*Example 2:* If TE = 1, TD1 TD0 = 10, Timer = 03, TIE = 1, TF = 0, TI/TP = 1 are written into PT7C4363B, timer counts down every  $1/4.096\text{kHz}$  seconds from 03 to 01 then 03 cycled and INT output negative pulse with  $1/64$  seconds width. See Fig.2.



**Figure 2. Example 2 of Timer Interrupts**

**c) Alarm Interrupt**

- **AIE:** Alarm Interrupt Enable bit.

AIE	Data	Description	
Read / Write	0	Alarm interrupt disabled	Default
	1	Alarm interrupt enabled	

- **AF:** Alarm Flag

AF	Data	Description
Read	0	Alarm flag inactive
	1	Alarm flag active
Write	0	Alarm flag is cleared
	1	Alarm flag remains unchanged

#### d) SQW Control

- **SQWE:** SQW output clock enable bit.

SQWE	Data	Description	
Read / Write	0	the SQW output is inhibited and SQW output is set to high-impedance	
	1	the SQW output is activated	Default

- **RS1, RS0:** SQW output frequency select.

RS1, RS0	Data	SQW output freq. (Hz)	
Read / Write	00	32.768k	Default
	01	1.024k	
	10	32	
	11	1	

#### e) Time Count

- **STOP**

STOP	Data	Description	
Read / Write	0	RTC source clock runs.	Default
	1	All RTC divider chain flip-flops are asynchronously set to logic 0; the RTC clock is stopped (SQW at 32.768 kHz is still available)	

#### f) Test

- **TEST1**

TEST1	Data	Description	
Read / Write	0	Normal mode.	Default
	1	EXT_CLK test mode.	

- **TESTC**

TESTC	Data	Description	
Read / Write	0	Power-on reset override facility is disabled; set to logic 0 for normal operation.	
	1	Power-on reset override may be enabled	Default

### 3. Time Counter

Time digit display (in BCD code):

- Second digits: Range from 00 to 59 and carried to minute digits when incremented from 59 to 00.
- Minute digits: Range from 00 to 59 and carried to hour digits when incremented from 59 to 00.
- Hour digits: See description on the /12, 24 bit. Carried to day and day-of-the-week digits when incremented from 11 p.m. to 12 a.m. or 23 to 00.

Addr. (hex)	Description	D7	D6	D5	D4	D3	D2	D1	D0
02	Seconds	OSF* <sup>1</sup>	S40	S20	S10	S8	S4	S2	S1
	(default)	1	Undefined	Undefined	Undefined	Undefined	Undefined	Undefined	Undefined
03	Minutes	×	M40	M20	M10	M8	M4	M2	M1
	(default)	0	Undefined	Undefined	Undefined	Undefined	Undefined	Undefined	Undefined
04	Hours	×	×	H20	H10	H8	H4	H2	H1
	(default)	0	0	Undefined	Undefined	Undefined	Undefined	Undefined	Undefined

\*1 Note: Indicate clock integrity. When the bit is 1, the clock integrity is no longer guaranteed and the time need be adjusted.

#### 4. Days of the Week Counter

The day counter is a divide-by-7 counter that counts from 00 to 06 and up 06 before starting again from 00. Values that correspond to the day of week are user defined but must be sequential (i.e., if 0 equals Sunday, then 1 equals Monday, and so on). Illogical time and date entries result in undefined operation.

Addr. (hex)	Description	D7	D6	D5	D4	D3	D2	D1	D0
06	Days of the week	×	×	×	×	×	W4	W2	W1
	(default)	0	0	0	0	0	Undefined	Undefined	Undefined

#### 5. Calendar Counter

The data format is BCD format.

- Day digits: Range from 1 to 31 (for January, March, May, July, August, October and December).  
Range from 1 to 30 (for April, June, September and November).  
Range from 1 to 29 (for February in leap years).  
Range from 1 to 28 (for February in ordinary years).  
Carried to month digits when cycled to 1.
- Month digits: Range from 1 to 12 and carried to year digits when cycled to 1.
- Year digits: Range from 00 to 99 and 00, 04, 08, ... , 92 and 96 are counted as leap years.

Addr. (hex)	Description	D7	D6	D5	D4	D3	D2	D1	D0
05	Dates	×	×	D20	D10	D8	D4	D2	D1
	(default)	0	0	Undefined	Undefined	Undefined	Undefined	Undefined	Undefined
07	Months	Century <sup>*1</sup>	×	×	M10	M8	M4	M2	M1
	(default)	Undefined	0	0	Undefined	Undefined	Undefined	Undefined	Undefined
08	Years	Y80	Y40	Y20	Y10	Y8	Y4	Y2	Y1
	(default)	Undefined	Undefined	Undefined	Undefined	Undefined	Undefined	Undefined	Undefined

\*1: The century bit is toggled when the years register overflows from 99 to 00.

#### 6. Alarm Register

##### PT7C4363B: Alarm Register

Addr.	Description	D7	D6	D5	D4	D3	D2	D1	D0
09	Alarm: Minutes	AE <sup>*1</sup>	M40	M20	M10	M8	M4	M2	M1
	(default)	Undefined	Undefined	Undefined	Undefined	Undefined	Undefined	Undefined	Undefined
0A	Alarm: Hours	AE <sup>*2</sup>	×	H20	H10	H8	H4	H2	H1
	(default)	Undefined	0	Undefined	Undefined	Undefined	Undefined	Undefined	Undefined
0B	Alarm: Dates	AE <sup>*3</sup>	×	D20	D10	D8	D4	D2	D1
	(default)	Undefined	0	Undefined	Undefined	Undefined	Undefined	Undefined	Undefined
0C	Alarm: Weekday	AE <sup>*4</sup>	×	×	×	×	W4	W2	W1
	(default)	Undefined	0	0	0	0	Undefined	Undefined	Undefined

\*1 Note: Minute alarm enable bit.

\*2 Note: Hour alarm enable bit.

\*3 Note: Date alarm enable bit.

\*4 Note: Weekday alarm enable bit.

## Alarm Function

### Related Register

	Function	Register definition							
		Bit 7	Bit 6	Bit 5	Bit 4	Bit 3	Bit 2	Bit 1	Bit 0
01	Control/status 2	-	-	-	TI/TP	AF	TF	AIE	TIE
02	Seconds	OSF	S40	S20	S10	S8	S4	S2	S1
03	Minutes	×	M40	M20	M10	M8	M4	M2	M1
04	Hours	×	×	H20	H10	H8	H4	H2	H1
05	Dates	×	×	D20	D10	D8	D4	D2	D1
06	Days of the week	×	×	×	×	×	W4	W2	W1
09	Alarm: Minutes	AE	M40	M20	M10	M8	M4	M2	M1
0A	Alarm: Hours	AE	×	H20	H10	H8	H4	H2	H1
0B	Alarm: Dates	AE	×	D20	D10	D8	D4	D2	D1
0C	Alarm: Weekday	AE	×	×	×	×	W4	W2	W1

When one or more of these registers are loaded with a valid minute, hour, day or weekday and its corresponding bit Alarm Enable (AE) is logic 0, then that information will be compared with the current minute, hour, day and weekday. When all enabled comparisons first match, the Alarm Flag (AF) is set. AF will remain set until cleared by software. Once AF has been cleared it will only be set again when the time increments to match the alarm condition once more. Alarm registers which have their bit AE at logic 1 will be ignored.

## EXT\_CLK Test Mode and POR Override

### 1. EXT\_CLK Test Mode

A test mode is available which allows for on-board testing. In such a mode it is possible to set up test conditions and control the operation of the RTC. The test mode is entered by setting bit TEST1 in control/status1 register. Then pin SQW becomes an input. The test mode replaces the internal 64 Hz signal with the signal applied to pin SQW. Every 64 positive edges applied to pin SQW will then generate an increment of one second.

The signal applied to pin SQW should have a minimum pulse width of 300 ns and a minimum period of 1000 ns. The internal 64 Hz clock, now sourced from SQW, is divided down to 1 Hz by a 2<sup>6</sup> divide chain called a pre-scaler. The pre-scaler can be set into a known state by using bit STOP. When bit STOP is set, the pre-scaler is reset to 0 (STOP must be cleared before the pre-scaler can operate again).

From a STOP condition, the first 1 second increment will take place after 32 positive edges on SQW. Thereafter, every 64 positive edges will cause a 1 second increment.

**Remark:** Entry into EXT\_CLK test mode is not synchronized to the internal 64 Hz clock. When entering the test mode, no assumption as to the state of the pre-scaler can be made.

### Operation example:

1. Set EXT\_CLK test mode (control/status 1, bit TEST1 = 1)
2. Set STOP (control/status 1, bit STOP = 1)
3. Clear STOP (control/status 1, bit STOP = 0)
4. Set time registers to desired value
5. Apply 32 clock pulses to SQW
6. Read time registers to see the first change
7. Apply 64 clock pulses to SQW
8. Read time registers to see the second change.

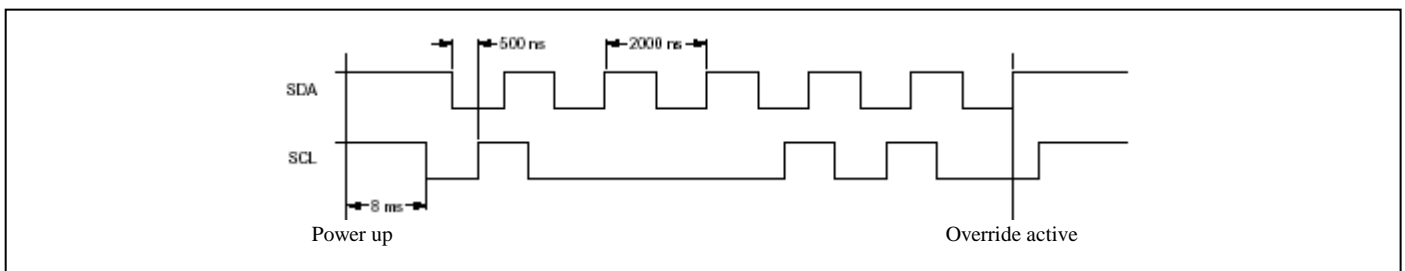
Repeat 7 and 8 for additional increments.

## 2. Power-On Reset (POR) override

The POR duration is directly related to the crystal oscillator start-up time. Due to the long start-up times experienced by these types of circuits, a mechanism has been built in to disable the POR and hence speed up on-board test of the device. The setting of this mode requires that the I<sup>2</sup>C-bus pins, SDA and SCL, be toggled in a specific order as shown in Fig 6.4.2. All timings are required minimums.

Once the override mode has been entered, the device immediately stops being reset and normal operation may commence i.e. entry into the EXT\_CLK test mode via I<sup>2</sup>C-bus access.

The override mode may be cleared by writing a logic 0 to TESTC. TESTC must be set to logic 1 before re-entry into the override mode is possible. Setting TESTC to logic 0 during normal operation has no effect except to prevent from entering the POR override mode.



**Figure 3. POR Override Sequence**



## Communication

### 1. I<sup>2</sup>C Bus Interface

#### a) Overview of I<sup>2</sup>C-BUS

The I<sup>2</sup>C bus supports bi-directional communications via two signal lines: the SDA (data) line and SCL (clock) line. A combination of these two signals is used to transmit and receive communication start/stop signals, data signals, acknowledge signals, and so on.

Both the SCL and SDA signals are held at high level whenever communications are not being performed. The starting and stopping of communications is controlled at the rising edge or falling edge of SDA while SCL is at high level. During data transfers, data changes that occur on the SDA line are performed while the SCL line is at low level, and on the receiving side the data is captured while the SCL line is at high level. In either case, the data is transferred via the SCL line at a rate of one bit per clock pulse. The I<sup>2</sup>C bus device does not include a chip select pin such as is found in ordinary logic devices. Instead of using a chip select pin, slave addresses are allocated to each device and the receiving device responds to communications only when its slave address matches the slave address in the received data.

#### b) System Configuration

All ports connected to the I<sup>2</sup>C bus must be either open drain or open collector ports in order to enable AND connections to multiple devices.

SCL and SDA are both connected to the VDD line via a pull-up resistance. Consequently, SCL and SDA are both held at high level when the bus is released (when communication is not being performed).

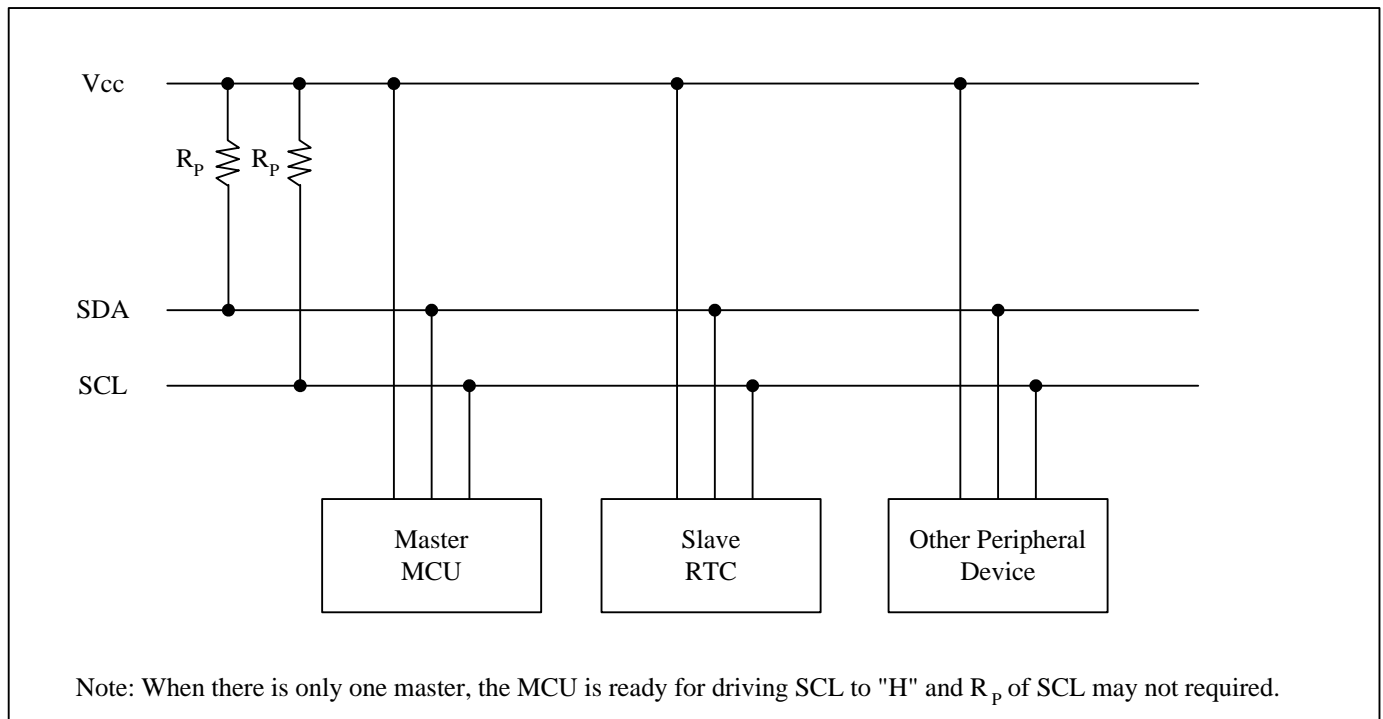
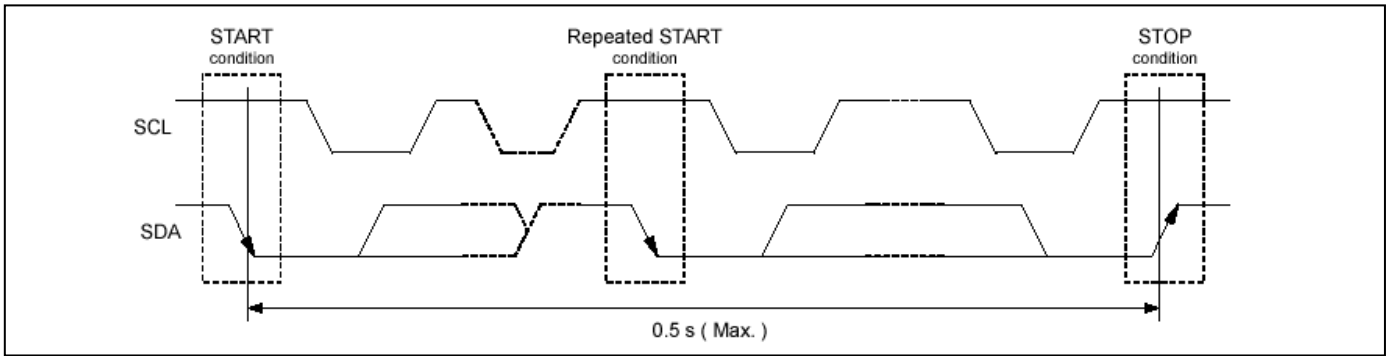


Figure 4. System Configuration

**c) Starting and Stopping I<sup>2</sup>C Bus Communications**



**Figure 5. Starting and stopping on I<sup>2</sup>C bus**

START condition, repeated START condition, and STOP condition

- **START condition**  
SDA level changes from high to low while SCL is at high level
- **STOP condition**  
SDA level changes from low to high while SCL is at high level
- **Repeated START condition (RESTART condition)**

In some cases, the START condition occurs between a previous START condition and the next STOP condition, in which case the second START condition is distinguished as a RESTART condition. Since the required status is the same as for the START condition, the SDA level changes from high to low while SCL is at high level.

**d) Data Transfers and Acknowledge Responses during I<sup>2</sup>C-BUS Communication**

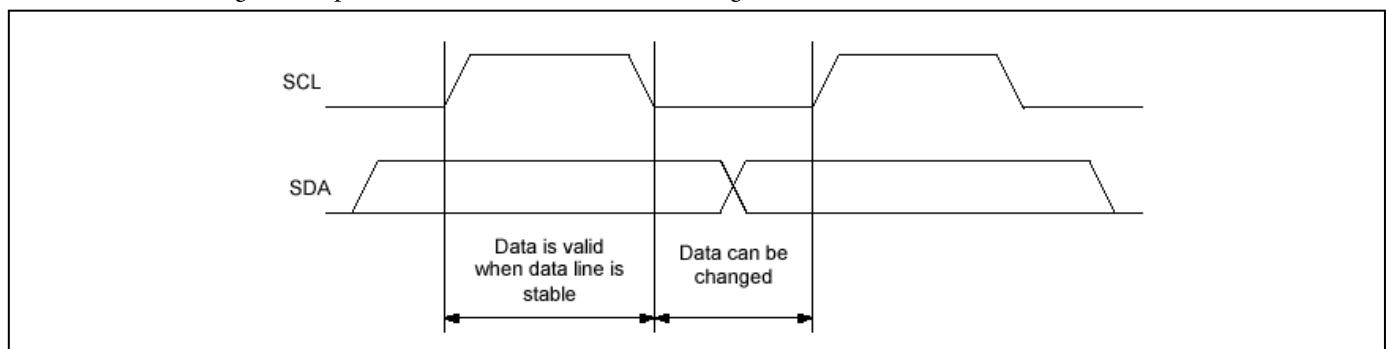
**• Data Transfers**

Data transfers are performed in 8-bit (1 byte) units once the START condition has occurred. There is no limit on the amount (bytes) of data that are transferred between the START condition and STOP condition.

The address auto increment function operates during both write and read operations.

Updating of data on the transmitter (transmitting side)'s SDA line is performed while the SCL line is at low level.

The receiver (receiving side) captures data while the SCL line is at high level.

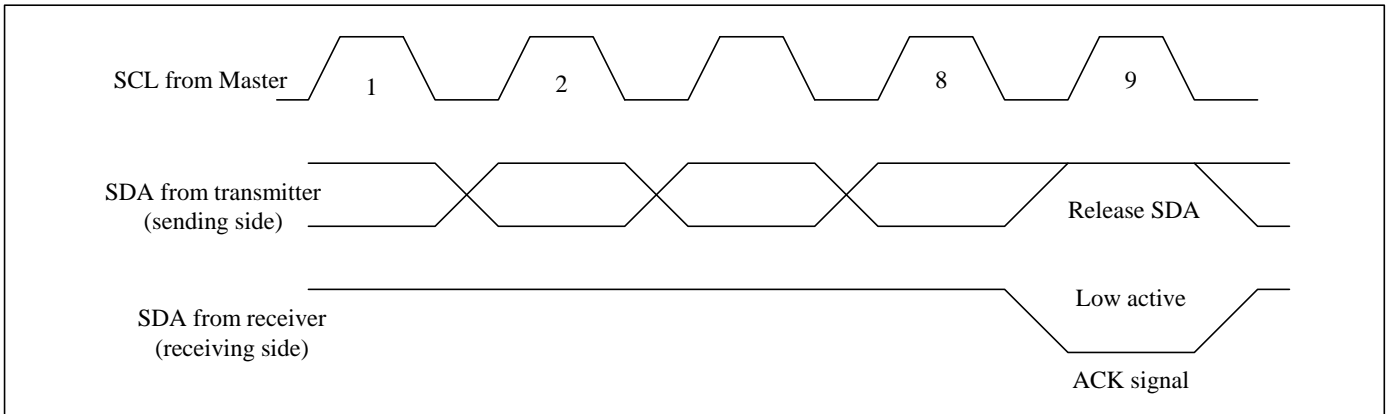


\*Note with caution that if the SDA data is changed while the SCL line is at high level, it will be treated as a START, RESTART, or STOP condition.

**• Data Acknowledge Response (ACK Signal)**

When transferring data, the receiver generates a confirmation response (ACK signal, low active) each time an 8-bit data segment is received. If there is no ACK signal from the receiver, it indicates that normal communication has not been established. (This does not include instances where the master device intentionally does not generate an ACK signal.)

Immediately after the falling edge of the clock pulse corresponding to the 8th bit of data on the SCL line, the transmitter releases the SDA line and the receiver sets the SDA line to low (= acknowledge) level.



After transmitting the ACK signal, if the Master remains the receiver for transfer of the next byte, the SDA is released at the falling edge of the clock corresponding to the 9th bit of data on the SCL line. Data transfer resumes when the Master becomes the transmitter.

When the Master is the receiver, if the Master does not send an ACK signal in response to the last byte sent from the slave, that indicates to the transmitter that data transfer has ended. At that point, the transmitter continues to release the SDA and awaits a STOP condition from the Master.

### e) Slave Address

The I<sup>2</sup>C bus device does not include a chip select pin such as is found in ordinary logic devices. Instead of using a chip select pin, slave addresses are allocated to each device.

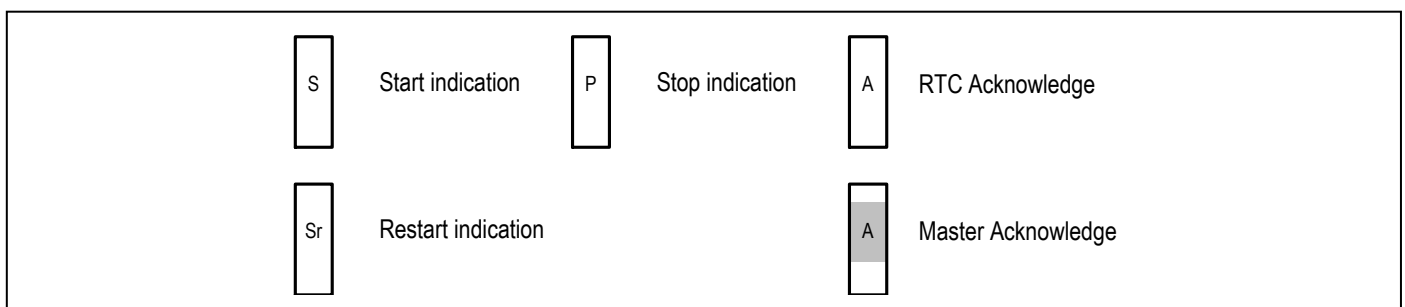
All communications begin with transmitting the [START condition] + [slave address (+ R/W specification)]. The receiving device responds to this communication only when the specified slave address it has received matches its own slave address.

Slave addresses have a fixed length of 7 bits. See table for the details.

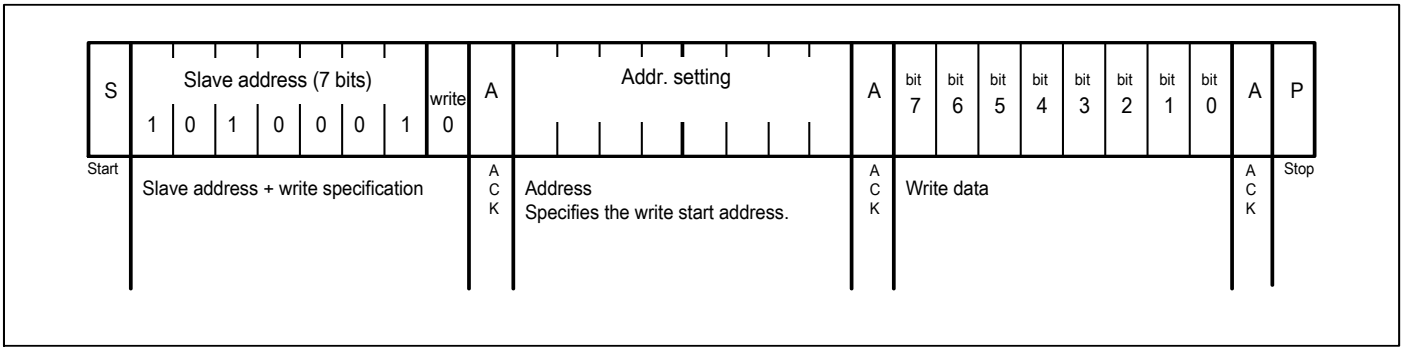
An R/W bit is added to each 7-bit slave address during 8-bit transfers.

Operation	Transfer Data	Slave Address							R / $\overline{W}$ bit
		bit 7	bit 6	bit 5	bit 4	bit 3	bit 2	bit 1	bit 0
Read	A3 h	1	0	1	0	0	0	1	1 (= Read)
Write	A2 h	1	0	1	0	0	0	1	0 (= Write)

## 2. I<sup>2</sup>C Bus's Basic Transfer Format

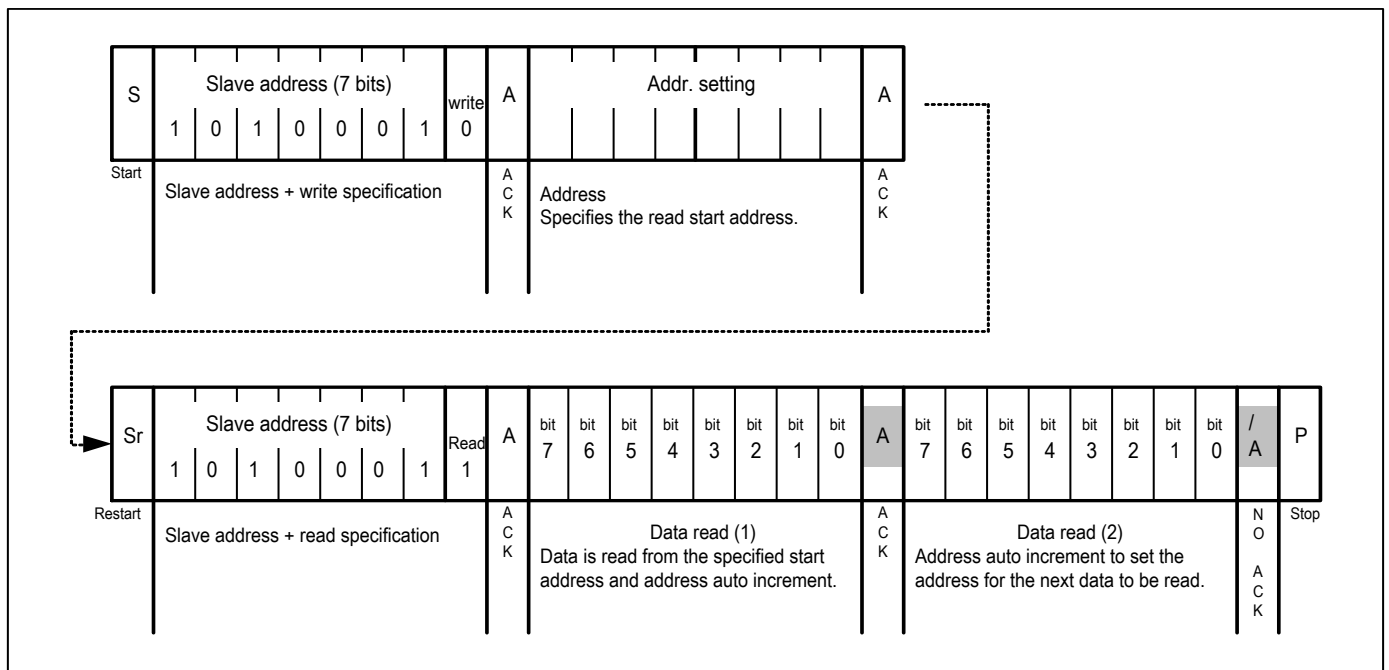


**a) Write via I<sup>2</sup>C Bus**

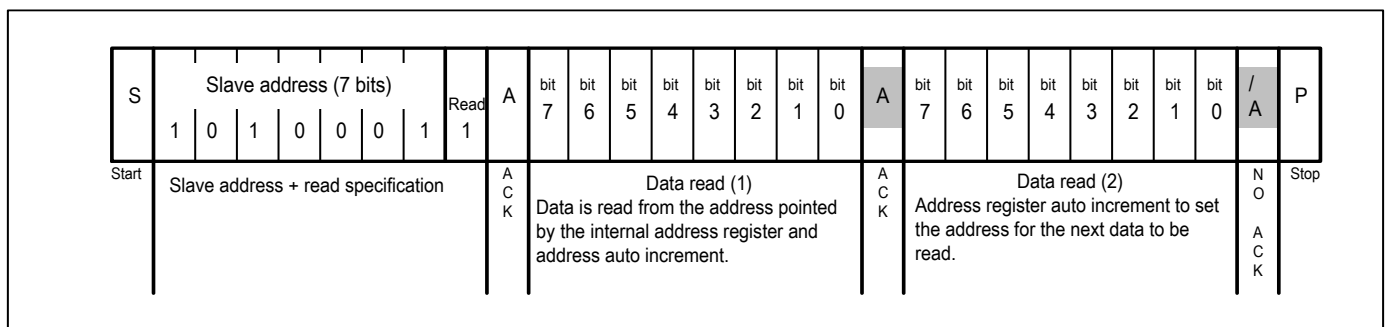


**b) Read via I<sup>2</sup>C Bus**

• **Standard Read**



• **Simplified Read**



- Note:**
- The above steps are an example of transfers of one or two bytes only. There is no limit to the number of bytes transferred during actual communications.
  - 49H, 4AH are used as test mode address. Customer should not use the addresses.

**Part Marking**

**W Package**

PT7C  
4363BWE  
QYWX̄  
○

Q: Die Rev  
Y: Date Code (Year)  
W: Date Code (Workweek)  
1st X: Assembly Site Code  
2nd X: Wafer Fab Site Code  
Bar above Fab Code means Cu wire

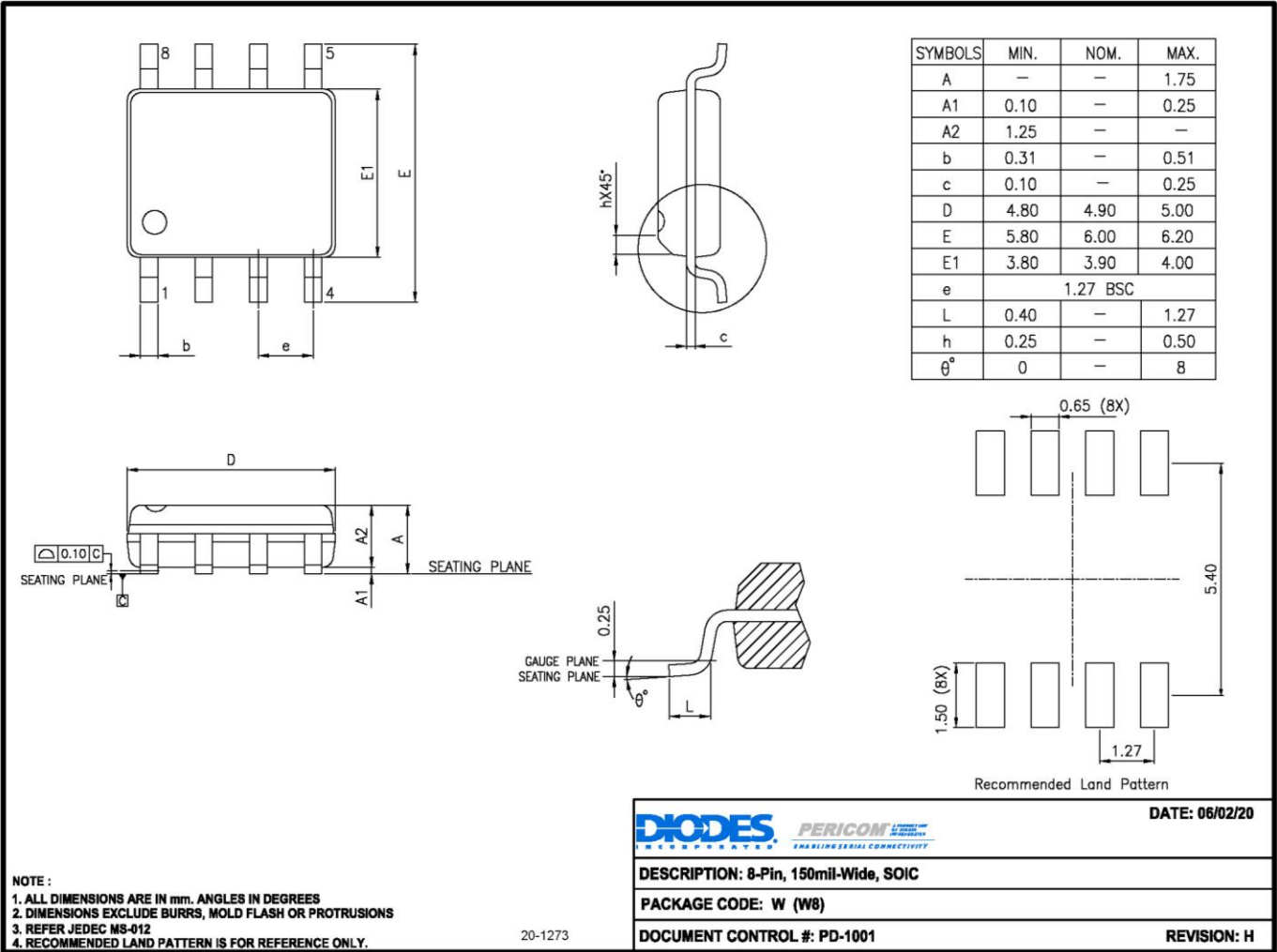
**ZE Package**

wM  
QYW  
X̄X  
○

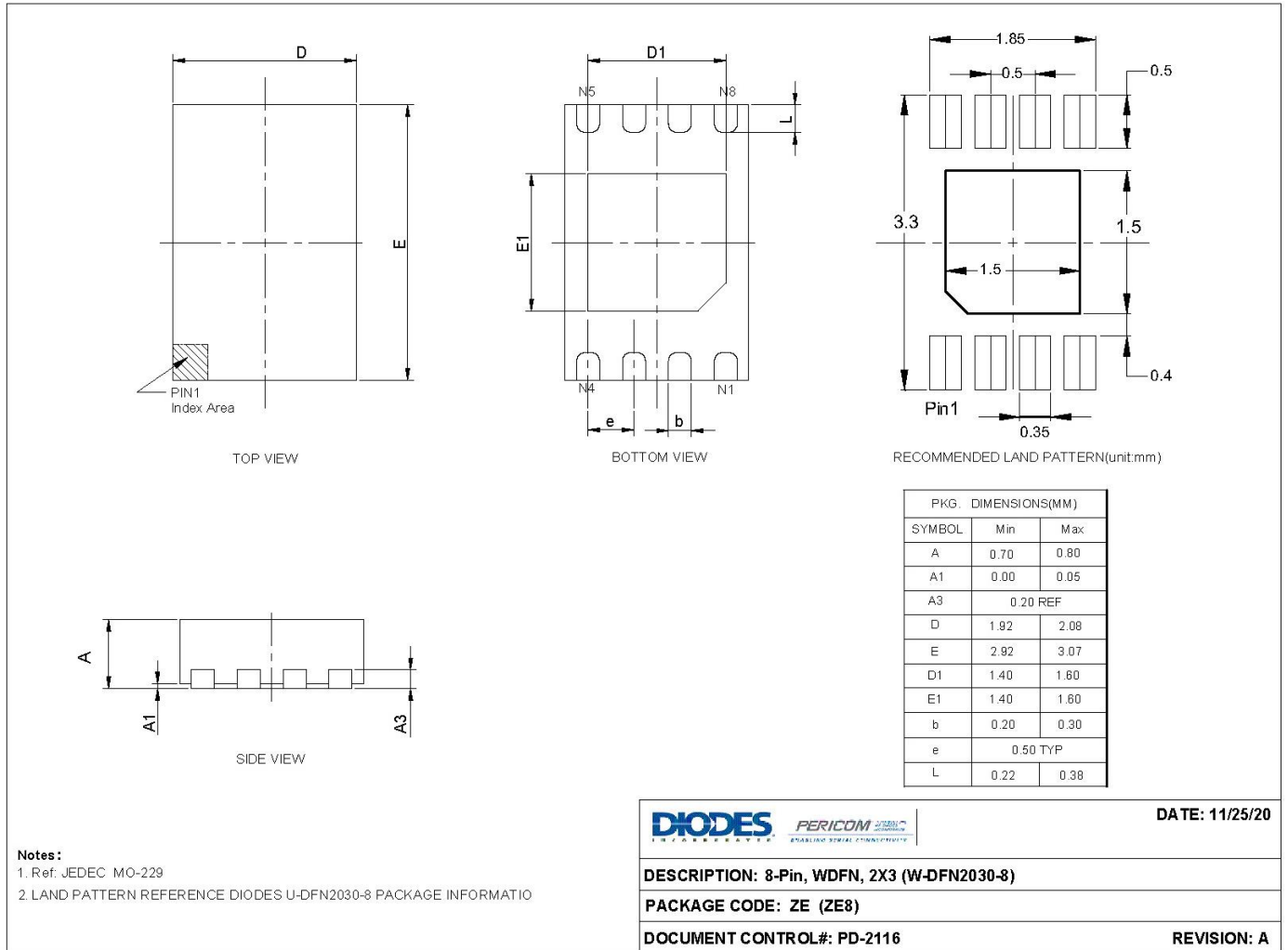
Q: Die Rev  
Y: Date Code (Year)  
W: Date Code (Workweek)  
1st X: Assembly Site Code  
2nd X: Wafer Fab Site Code  
Bar above Fab Code means Cu wire

**Packaging Mechanical**

**8-SOIC (W)**



**8-TDFN (ZE)**



20-1348

For latest package info.

please check: <http://www.diodes.com/design/support/packaging/pericom-packaging/packaging-mechanicals-and-thermal-characteristics/>

**Ordering Information**

Part Number	Package Code	Package Description
PT7C4363BWEX	W	8-Pin, 150mil Wide (SOIC)
PT7C4363BZEEX	ZE	8-Pin, 2x3 (WDFN), (W-DFN2030-8)

**Notes:**

- No purposely added lead. Fully EU Directive 2002/95/EC (RoHS), 2011/65/EU (RoHS 2) & 2015/863/EU (RoHS 3) compliant.
- See <https://www.diodes.com/quality/lead-free/> for more information about Diodes Incorporated's definitions of Halogen- and Antimony-free, "Green" and Lead-free.
- Halogen- and Antimony-free "Green" products are defined as those which contain <900ppm bromine, <900ppm chlorine (<1500ppm total Br + Cl) and <1000ppm antimony compounds.
- E = Pb-free and Green
- X suffix = Tape/Reel

**IMPORTANT NOTICE**

1. DIODES INCORPORATED AND ITS SUBSIDIARIES ("DIODES") MAKE NO WARRANTY OF ANY KIND, EXPRESS OR IMPLIED, WITH REGARDS TO ANY INFORMATION CONTAINED IN THIS DOCUMENT, INCLUDING, BUT NOT LIMITED TO, THE IMPLIED WARRANTIES OF MERCHANTABILITY, FITNESS FOR A PARTICULAR PURPOSE OR NON-INFRINGEMENT OF THIRD PARTY INTELLECTUAL PROPERTY RIGHTS (AND THEIR EQUIVALENTS UNDER THE LAWS OF ANY JURISDICTION).

2. The Information contained herein is for informational purpose only and is provided only to illustrate the operation of Diodes products described herein and application examples. Diodes does not assume any liability arising out of the application or use of this document or any product described herein. This document is intended for skilled and technically trained engineering customers and users who design with Diodes products. Diodes products may be used to facilitate safety-related applications; however, in all instances customers and users are responsible for (a) selecting the appropriate Diodes products for their applications, (b) evaluating the suitability of the Diodes products for their intended applications, (c) ensuring their applications, which incorporate Diodes products, comply the applicable legal and regulatory requirements as well as safety and functional-safety related standards, and (d) ensuring they design with appropriate safeguards (including testing, validation, quality control techniques, redundancy, malfunction prevention, and appropriate treatment for aging degradation) to minimize the risks associated with their applications.

3. Diodes assumes no liability for any application-related information, support, assistance or feedback that may be provided by Diodes from time to time. Any customer or user of this document or products described herein will assume all risks and liabilities associated with such use, and will hold Diodes and all companies whose products are represented herein or on Diodes' websites, harmless against all damages and liabilities.

4. Products described herein may be covered by one or more United States, international or foreign patents and pending patent applications. Product names and markings noted herein may also be covered by one or more United States, international or foreign trademarks and trademark applications. Diodes does not convey any license under any of its intellectual property rights or the rights of any third parties (including third parties whose products and services may be described in this document or on Diodes' website) under this document.

5. Diodes products are provided subject to Diodes' Standard Terms and Conditions of Sale (<https://www.diodes.com/about/company/terms-and-conditions/terms-and-conditions-of-sales/>) or other applicable terms. This document does not alter or expand the applicable warranties provided by Diodes. Diodes does not warrant or accept any liability whatsoever in respect of any products purchased through unauthorized sales channel.

6. Diodes products and technology may not be used for or incorporated into any products or systems whose manufacture, use or sale is prohibited under any applicable laws and regulations. Should customers or users use Diodes products in contravention of any applicable laws or regulations, or for any unintended or unauthorized application, customers and users will (a) be solely responsible for any damages, losses or penalties arising in connection therewith or as a result thereof, and (b) indemnify and hold Diodes and its representatives and agents harmless against any and all claims, damages, expenses, and attorney fees arising out of, directly or indirectly, any claim relating to any noncompliance with the applicable laws and regulations, as well as any unintended or unauthorized application.

7. While efforts have been made to ensure the information contained in this document is accurate, complete and current, it may contain technical inaccuracies, omissions and typographical errors. Diodes does not warrant that information contained in this document is error-free and Diodes is under no obligation to update or otherwise correct this information. Notwithstanding the foregoing, Diodes reserves the right to make modifications, enhancements, improvements, corrections or other changes without further notice to this document and any product described herein. This document is written in English but may be translated into multiple languages for reference. Only the English version of this document is the final and determinative format released by Diodes.

8. Any unauthorized copying, modification, distribution, transmission, display or other use of this document (or any portion hereof) is prohibited. Diodes assumes no responsibility for any losses incurred by the customers or users or any third parties arising from any such unauthorized use.

Copyright © 2022 Diodes Incorporated

[www.diodes.com](http://www.diodes.com)