

**Exar Corporation**

[www.exar.com](http://www.exar.com) | Support: customersupport@exar.com

**PRODUCTS AFFECTED:**

Products		Starting Date Code
SPX1431M1-L,	SPX1431M1-L/TR	1324
SPX431LM1-L,	SPX431LM1-L/TR	1322

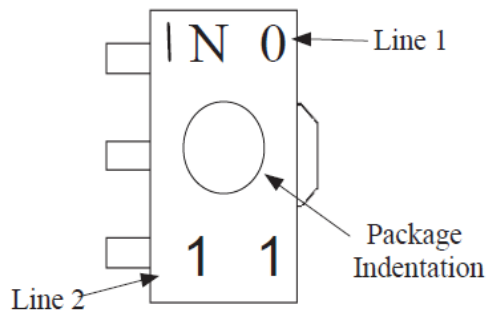
**CHANGE CATEGORY:**

- |  |                                    |   |
|--|------------------------------------|---|
| <input type="checkbox"/> Material                          | <input type="checkbox"/> Process   | <input type="checkbox"/> Package          |
| <input type="checkbox"/> Design                            | <input type="checkbox"/> Datasheet | <input type="checkbox"/> Packing/Shipping |
| <input checked="" type="checkbox"/> Other: Package Marking |                                    |   |

**DESCRIPTION OF CHANGE:** Package marking change to add manufacturing date code and lot traceability.

**From:**

Original Mark Layout



Line 1: Exar Part Number "N0"

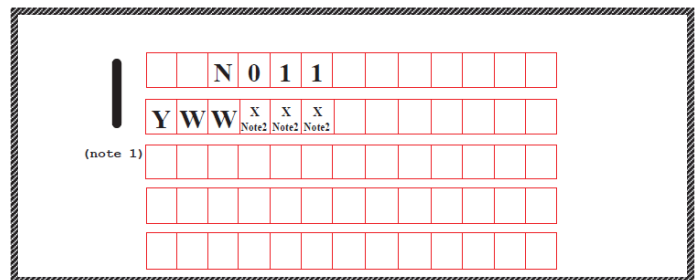
Line 2: Exar Part Number "11"

"BAR" Indicates Lead-Free Package

(Preferred Dimension: Max. Bar Width: 0.1mm – Min. Bar Height: 0.75mm)

**To:**

New Mark Layout with added manufacturing date code and lot trace code



\*Grid line boxes are for alignment reference and not be marked. (Ignore the empty boxes beyond the actual marking area.)

\*\*Top mark is to be centered at the center of package top surface. Content of top mark is to be right-aligned.

- Notes:
1. Bar "I" on left side indicates lead-free package.
  2. XXX=Lot# (Mark characters underlined)  
Example: AA234567
  3. Date Code: Y=Year (last digit), WW=Work Week

**IMPACT OF CHANGE:**

Package mark layout change only. No change to product form, fit or function.

Please contact customer support ([customersupport@exar.com](mailto:customersupport@exar.com)) for any questions.

**PROPRIETARY INFORMATION**

THIS DOCUMENT CONTAINS INFORMATION WHICH IS THE EXCLUSIVE PROPERTY OF EXAR CORPORATION. DISTRIBUTION, REPRODUCTION OR USE BY OTHERS IS NOT PERMITTED WITHOUT THE EXPRESS WRITTEN AUTHORIZATION OF EXAR CORPORATION.