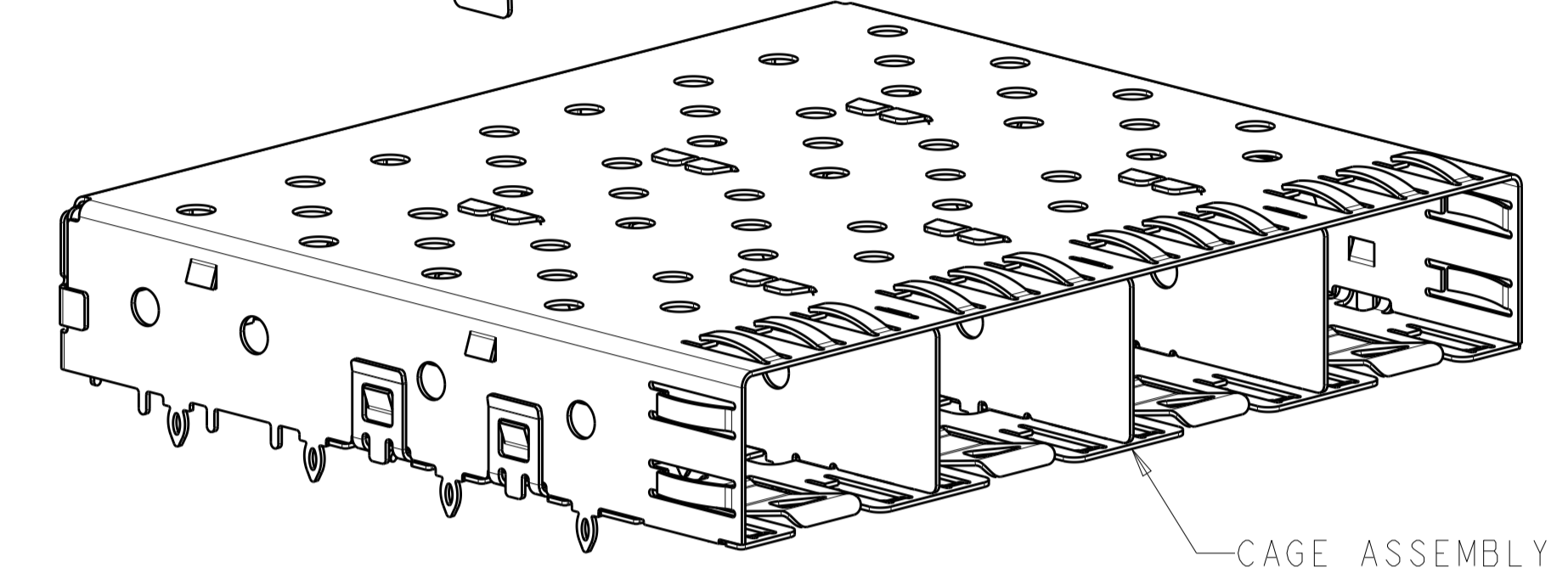
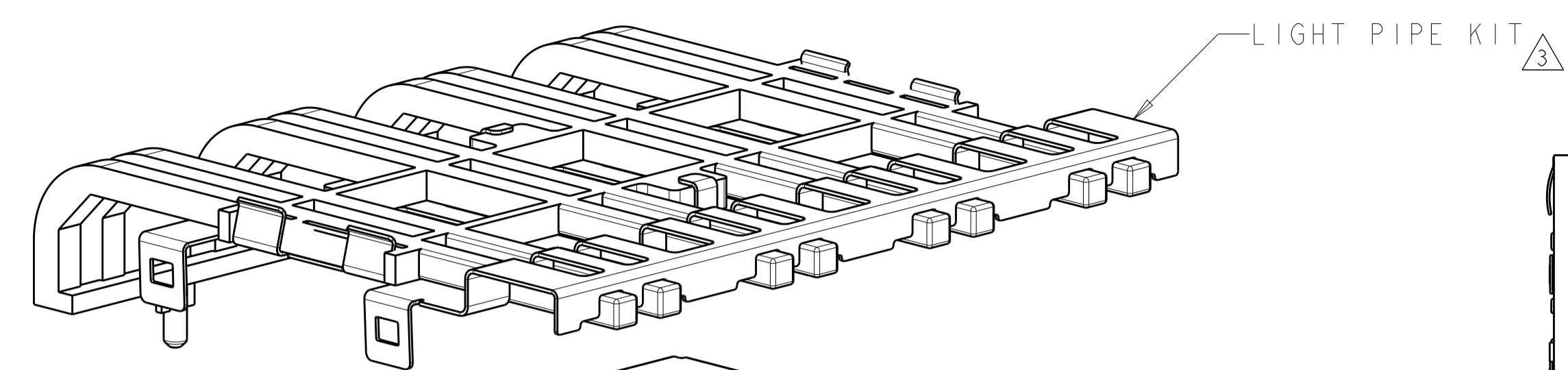
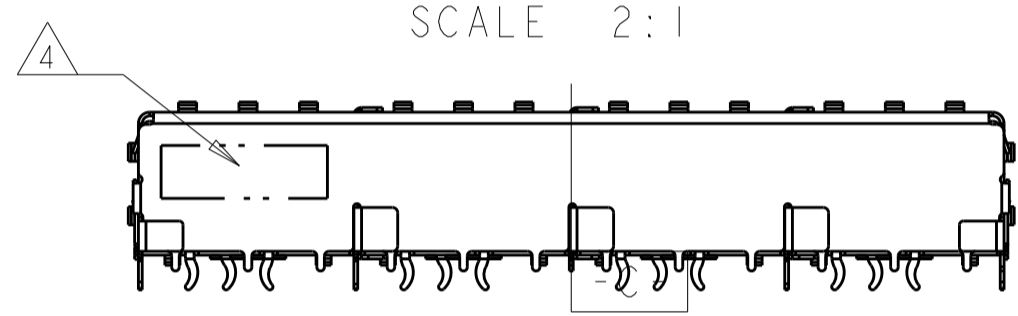
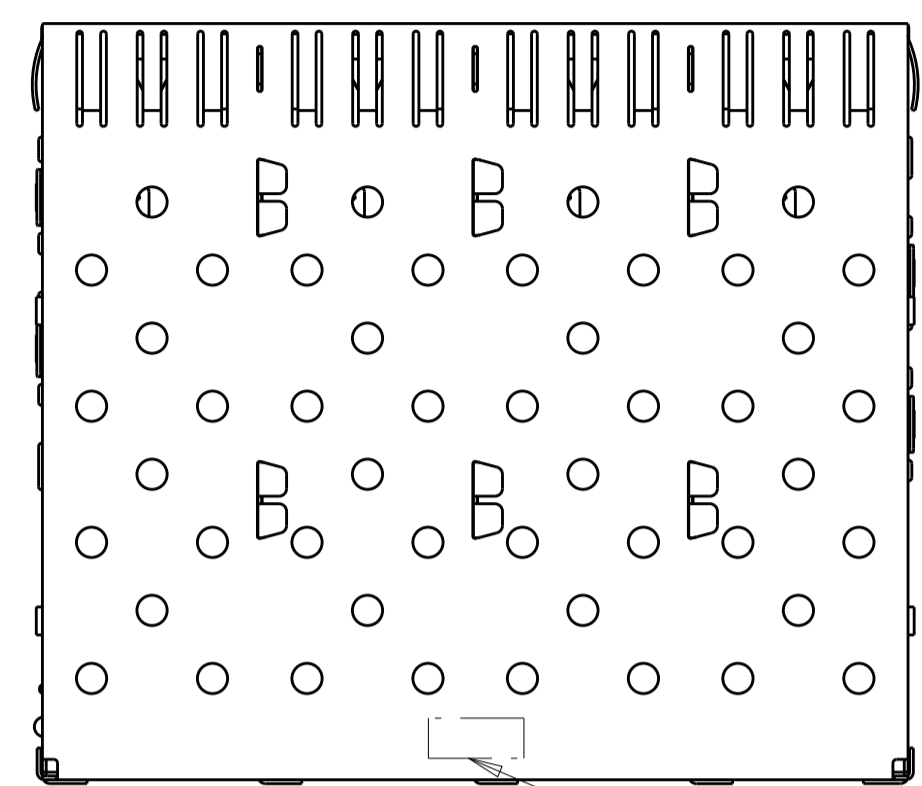


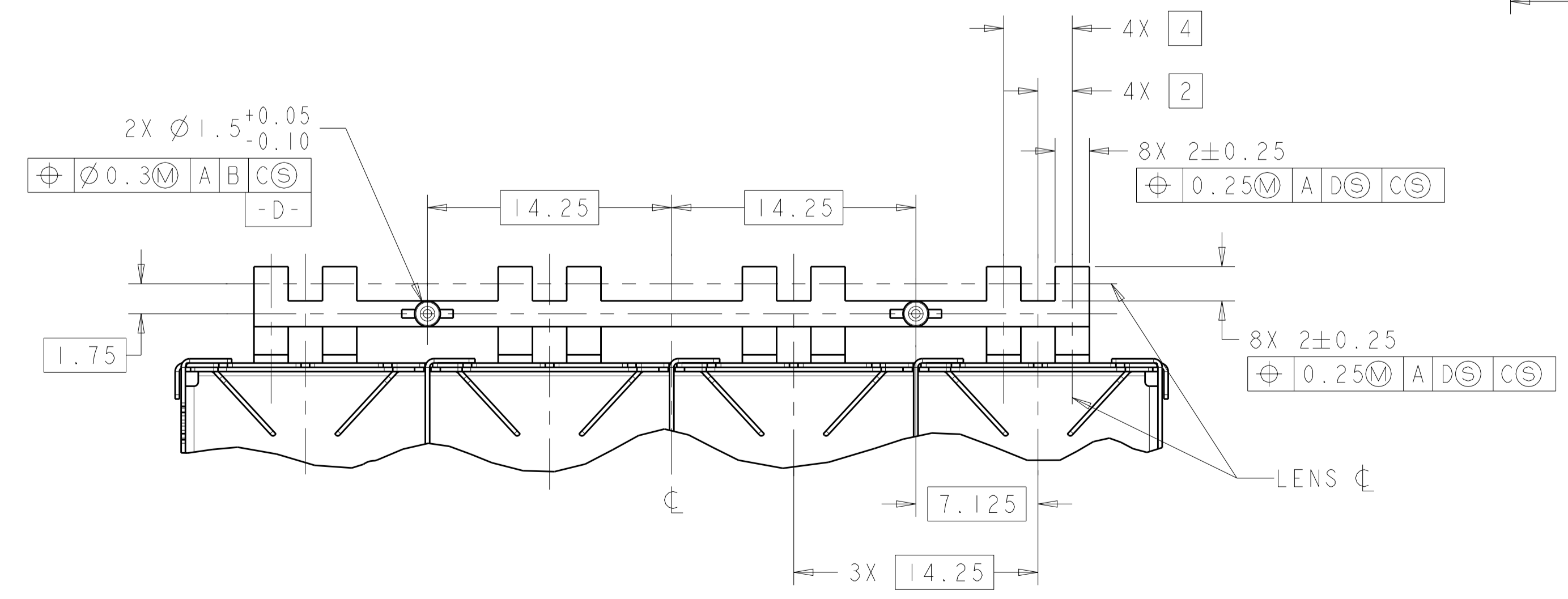
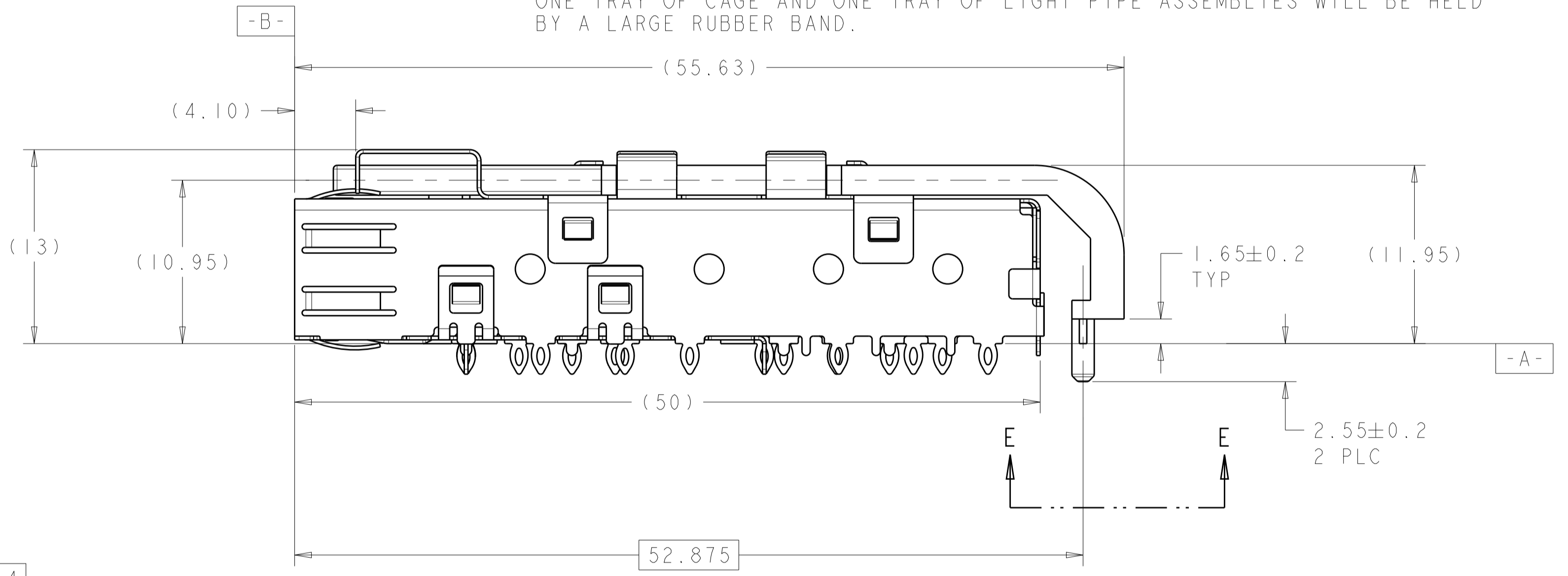
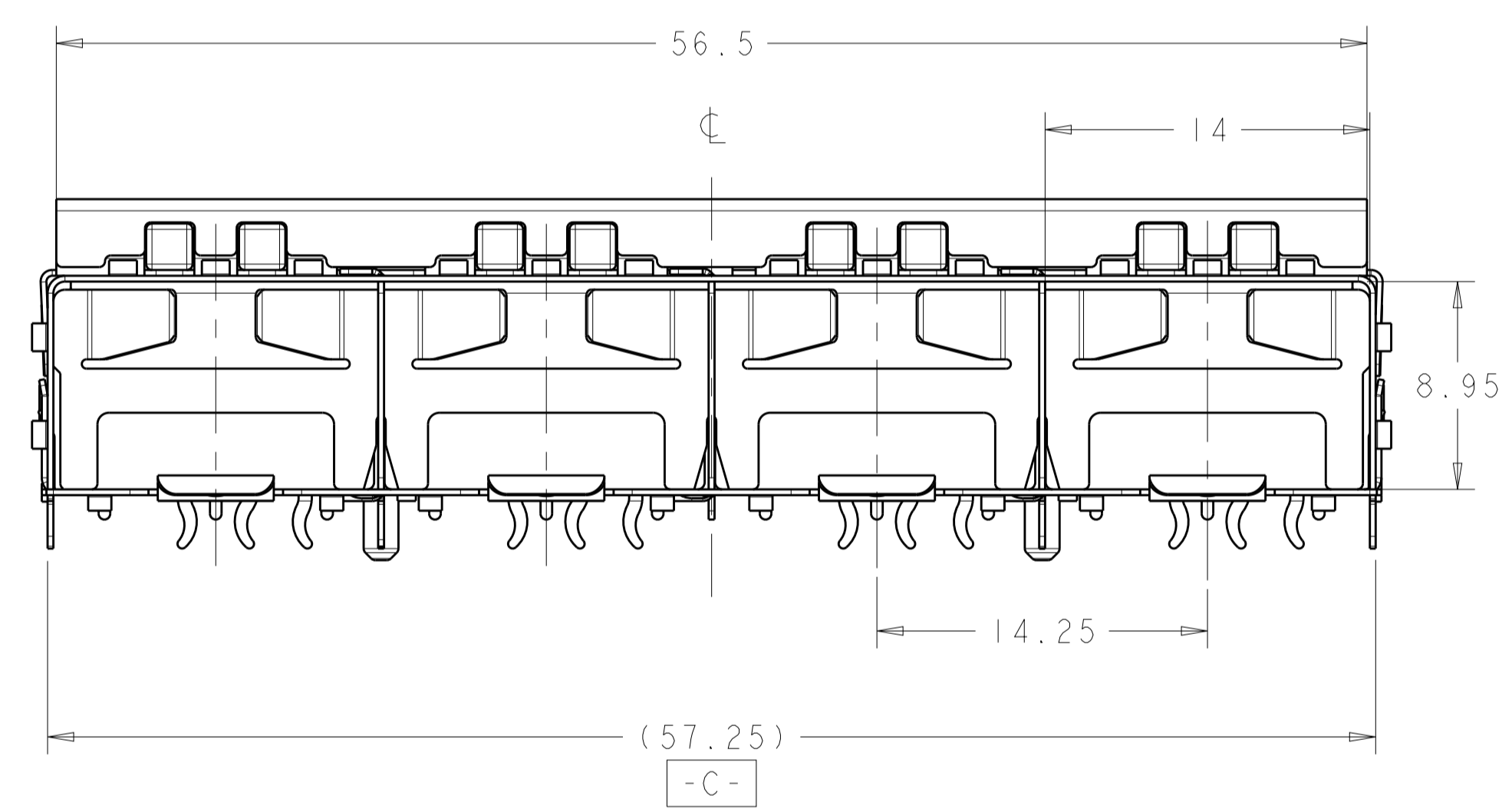
LOC		DIST		REVISIONS			
GP	00	P	LTN	DESCRIPTION	DATE	OWN	APVD
		E1		REVISED PER ECO-11-007052	06APR2011	JY	CW
		F		REVISED PER ECO-14-000886	20FEB2014	JW	SH
		F1		REVISED PER ECO-14-010419	11JUL2014	JW	SH
		G		REVISED PER ECO-15-013594	22SEP2015	JW	SH



1761008-1, -2, -3, -4  
SCALE 3:1



- △ PADS AND VIAS CHASSIS GROUND.
- △ DATUM AND BASIC DIMENSIONS ESTABLISHED BY CUSTOMER.
- △ LIGHT PIPE KIT WHICH IS SEPARATE FROM THE CAGE ASSEMBLY. KIT TO BE ATTACHED AFTER SEATING OF 1658744-1&3 ON PCB.
- △ DATE CODE AND PART NUMBER IN APPROXIMATE AREA SHOWN LABEL ON CAGE ASSEMBLY WILL HAVE PART NUMBER 1658744-1&3.
- 5. REFERENCE STYLE 1 ON APPLICATION SPECIFICATION 114-13165 FOR ADDITIONAL INFORMATION ON CAGE ASSEMBLIES WITH LIGHT PIPES.
- △ REFERENCE APPLICATION SPEC 114-13120, HOLE A, FOR RECOMMENDED DRILL HOLE DIAMETER AND PLATING THICKNESSES.
- △ REFERENCE APPLICATION SPEC 114-13120, HOLE B, FOR RECOMMENDED DRILL HOLE DIAMETER AND PLATING THICKNESSES.
- △ PATTERN REPEATS FOR EACH PORT. SPACING BETWEEN PORTS IS 14.25mm.
- △ MINIMUM PC BOARD THICKNESS = 1.50mm.
- △ COMPANY LOGO IN APPROXIMATE AREA SHOWN.
- △ BOX WILL CONTAIN TRAYS OF CAGES AND TRAYS OF LIGHT PIPE ASSEMBLIES.
- △ BOX WILL CONTAIN TRAYS OF CAGES AND TRAYS OF LIGHT PIPE ASSEMBLIES. ONE TRAY OF CAGE AND ONE TRAY OF LIGHT PIPE ASSEMBLIES WILL BE HELD BY A LARGE RUBBER BAND.



VIEW E-E  
ROTATED 90° COUNTERCLOCKWISE

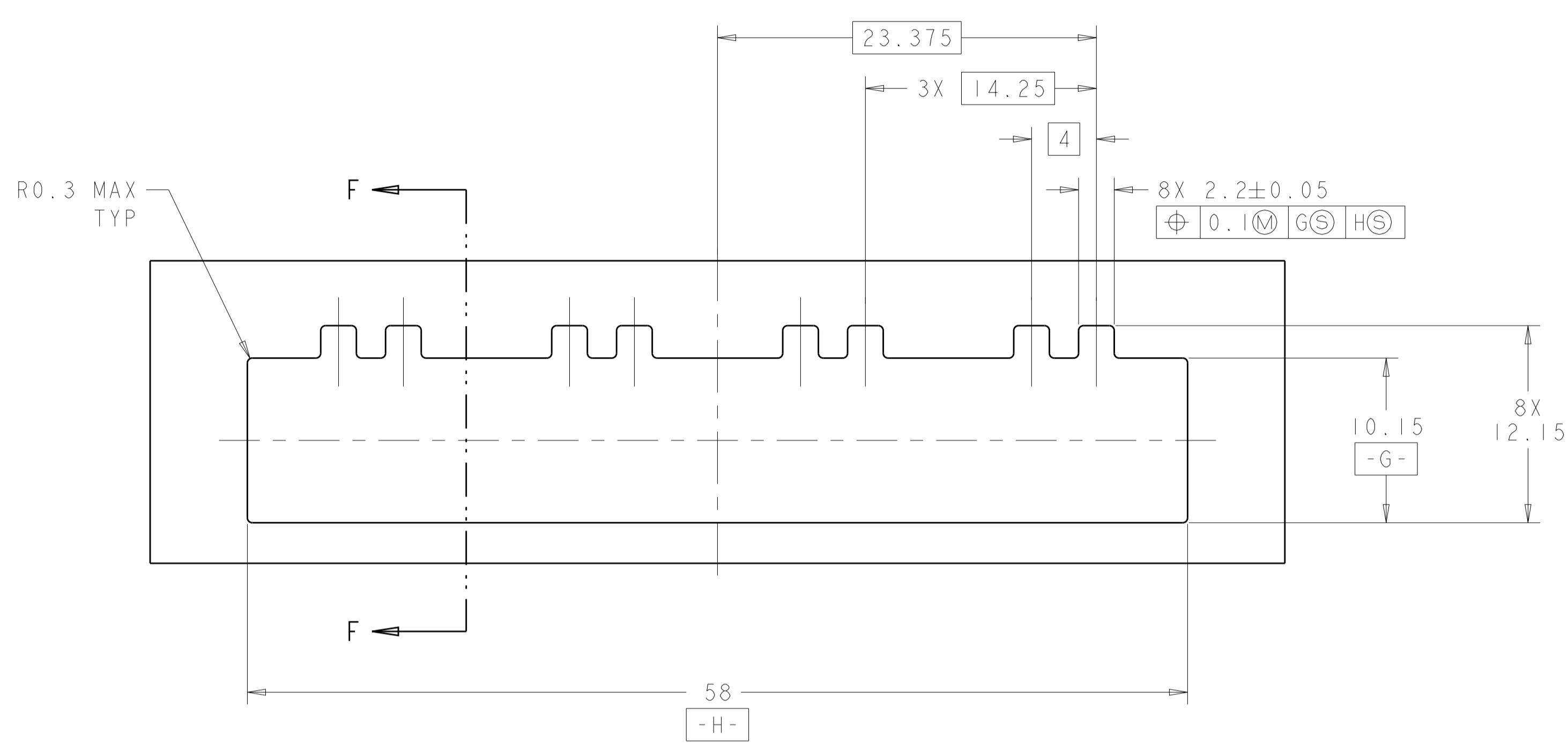
**SUPERSEDED BY:**  
1761008-4  
**SUPERSEDED BY:**  
1761008-3

LIGHT PIPE KIT	CAGE ASSEMBLY	PACKAGE	DESCRIPTION	PART NO.
1761012-3	1658744-3	△	1X4 ASSEMBLY	1761008-4
1761012-3	1658744-3	△	1X4 ASSEMBLY	1761008-3
1761012-1	1658744-1	△	1X4 ASSEMBLY	1761008-2
1761012-1	1658744-1	△	1X4 ASSEMBLY	1761008-1

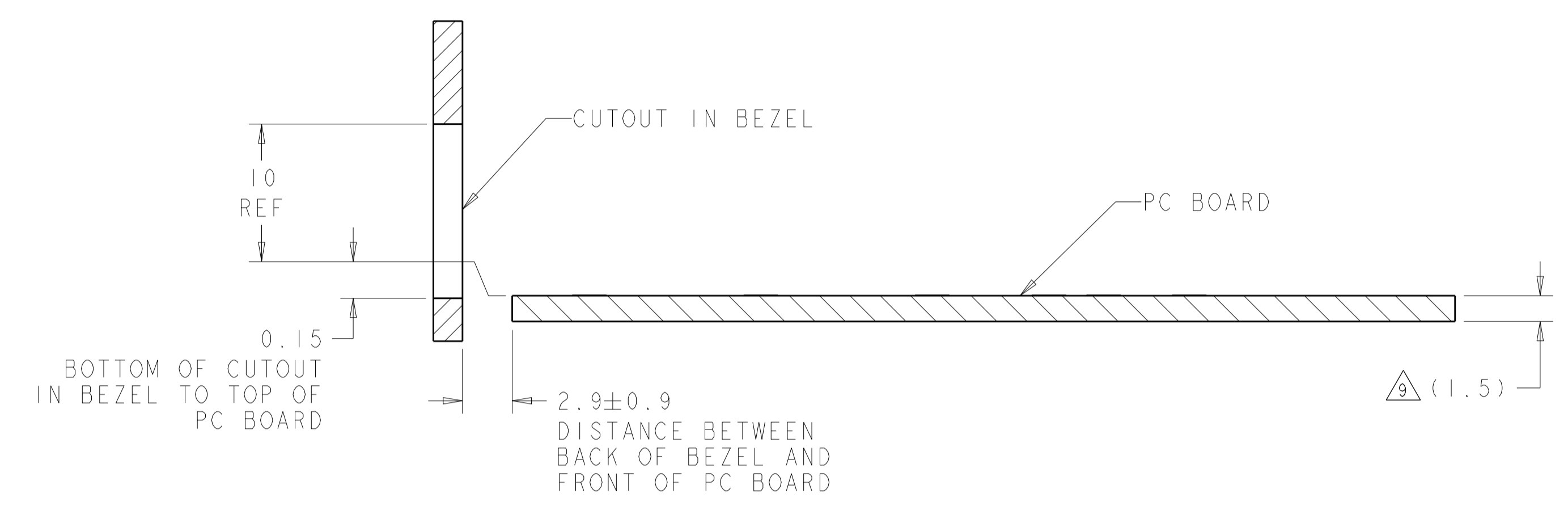
  

THIS DRAWING IS A CONTROLLED DOCUMENT.		OWN	J. VAN SCOYK	02FEB2004
DIMENSIONS:		CHK	M. PHILLIPS	02FEB2004
TOLERANCES UNLESS OTHERWISE SPECIFIED:		APVD	M. PHILLIPS	02FEB2004
mm	0 PLC ±0.1	NAME		
	1 PLC ±0.1	SFP		
	2 PLC ±0.1	1X4 CAGE ASSEMBLY WITH LIGHT PIPE		
	3 PLC ±0.1	PRODUCT SPEC		
	4 PLC ±0.100	108-1950		
	ANGLES ±°	APPLICATION SPEC		
	FINISH ±°30"	114-13120		
MATERIAL		WEIGHT	SIZE CAGE CODE DRAWING NO	
			A100779C=1761008	
CUSTOMER DRAWING		SCALE	4:1	SHEET 1 OF 3
		REV	G	

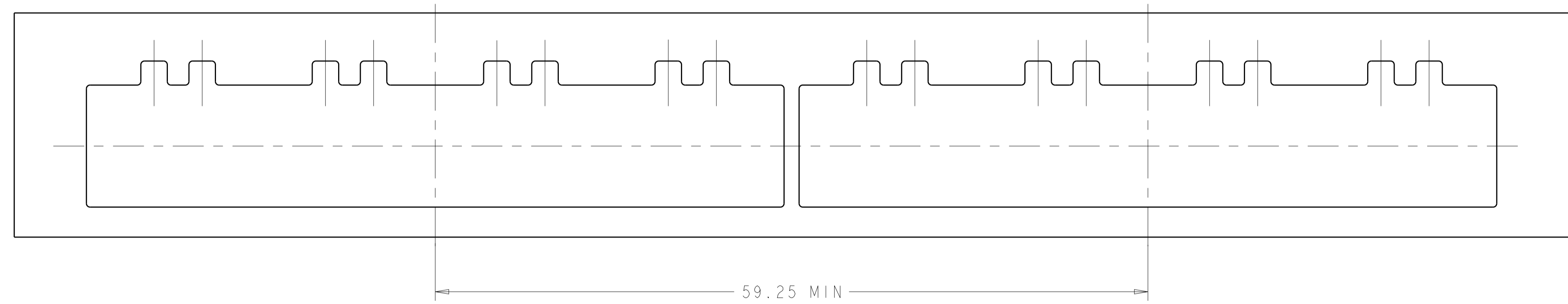
LOC		DIST		REVISIONS			
P	LTN	DESCRIPTION	DATE	DWN	APVD		
-	-	SEE SHEET 1	-	-	-		



RECOMMENDED BEZEL CUTOUT



SECTION F-F  
 RECOMMENDED BEZEL CONFIGURATION

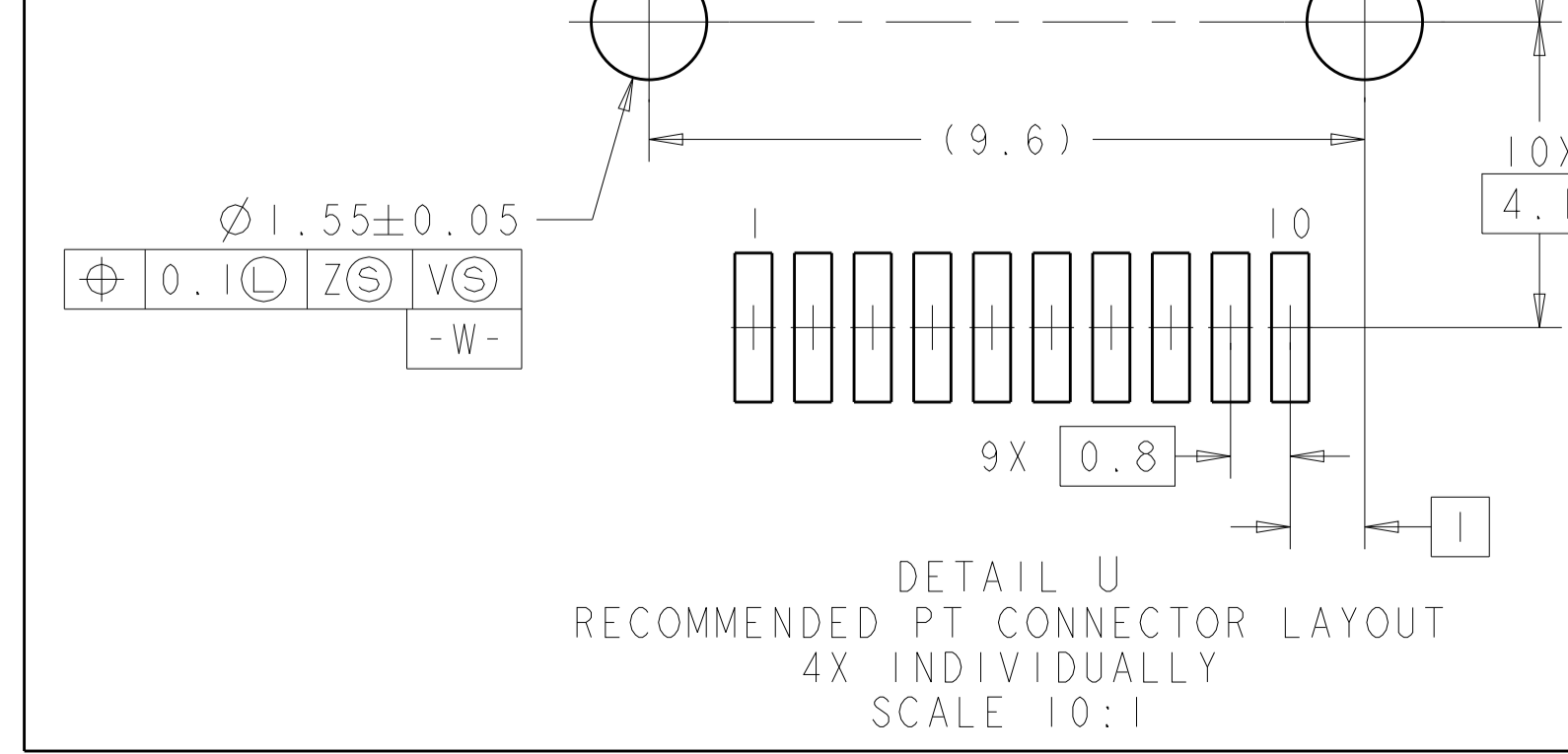
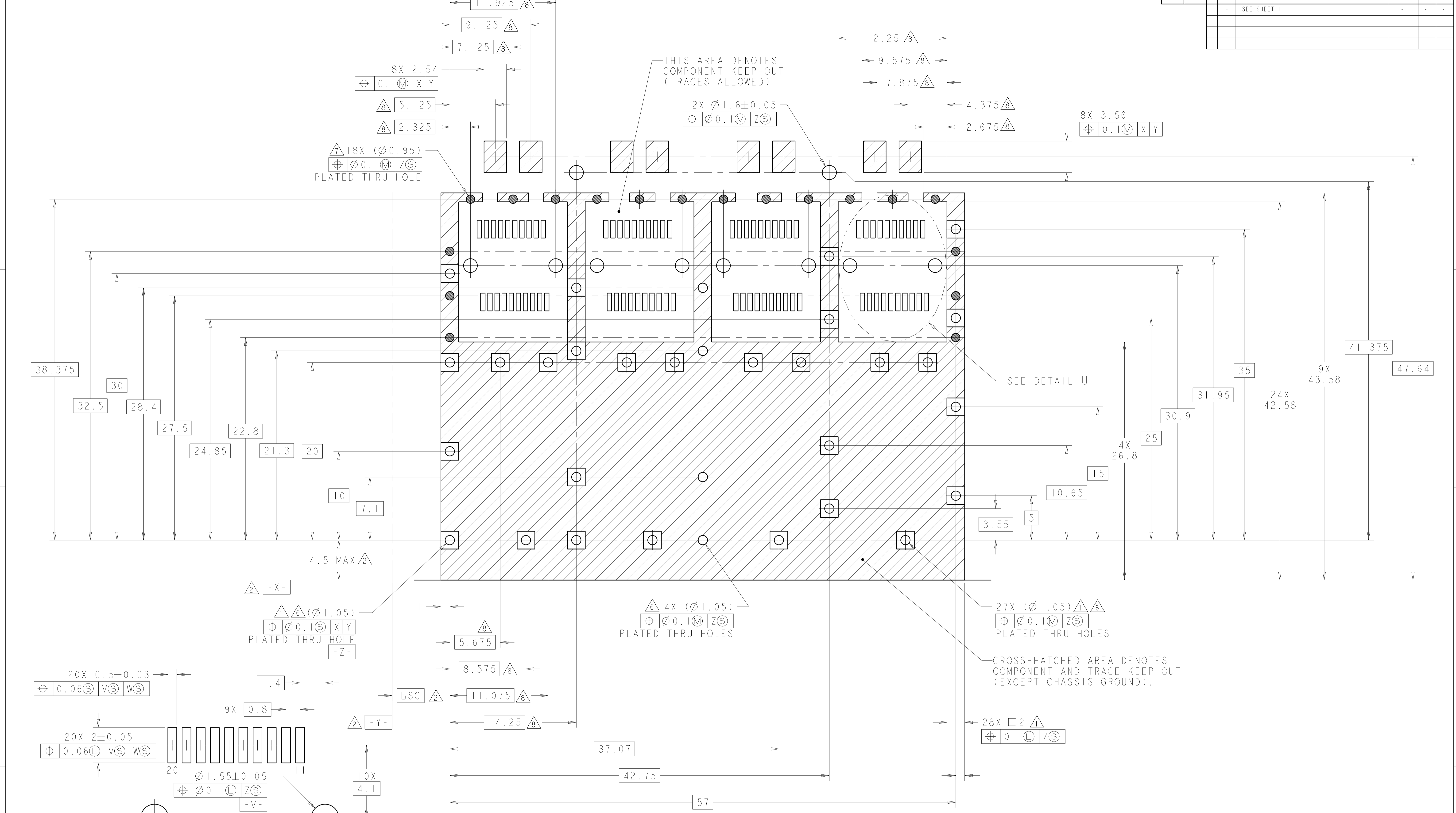


THIS DRAWING IS A CONTROLLED DOCUMENT.		DWN: W. VAN SCOY 02FEB2004	TE Connectivity
DIMENSIONS: mm		CHK: M. PHILLIPS 02FEB2004	
TOLERANCES UNLESS OTHERWISE SPECIFIED:		APVD: M. PHILLIPS 02FEB2004	NAME: SFP
0 PLC ±0.1	1 PLC ±0.1	PRODUCT SPEC	1X4 CAGE ASSEMBLY WITH LIGHT PIPE
2 PLC ±0.10	3 PLC ±0.100	APPLICATION SPEC	SIZE: A100779
4 PLC ±0.100	ANGLES ±°	114-13120	CAGE CODE: C=1761008
MATERIAL: -	FINISH: -	WEIGHT: -	RESTRICTED TO: -
CUSTOMER DRAWING		SCALE: 4:1	SHEET 2 OF 3

LOC	DIST	REV	DATE	BY	APPV
GP	00				

REVISIONS			
REV	DATE	BY	APPV
-	-	-	-
-	-	-	-



THIS DRAWING IS A CONTROLLED DOCUMENT.		DWN: W. VAN SCOOC 02FEB2004	 TE Connectivity
DIMENSIONS: mm		CHK: M. PHILLIPS 02FEB2004	
TOLERANCES UNLESS OTHERWISE SPECIFIED:		APVD: M. PHILLIPS 02FEB2004	NAME: SFP
0 PLC $\pm 0.1$		PRODUCT SPEC: 108-1950	SIZE: 1X4 CAGE ASSEMBLY WITH LIGHT PIPE
1 PLC $\pm 0.1$		APPLICATION SPEC: 114-13120	RESTRICTED TO: -
2 PLC $\pm 0.10$		WEIGHT: -	SCALE: 4:1
3 PLC $\pm 0.100$		CUSTOMER DRAWING	SHEET 3 OF 3
4 PLC $\pm$			REV G
ANGLES: $\pm 30^\circ$			
FINISH: -			