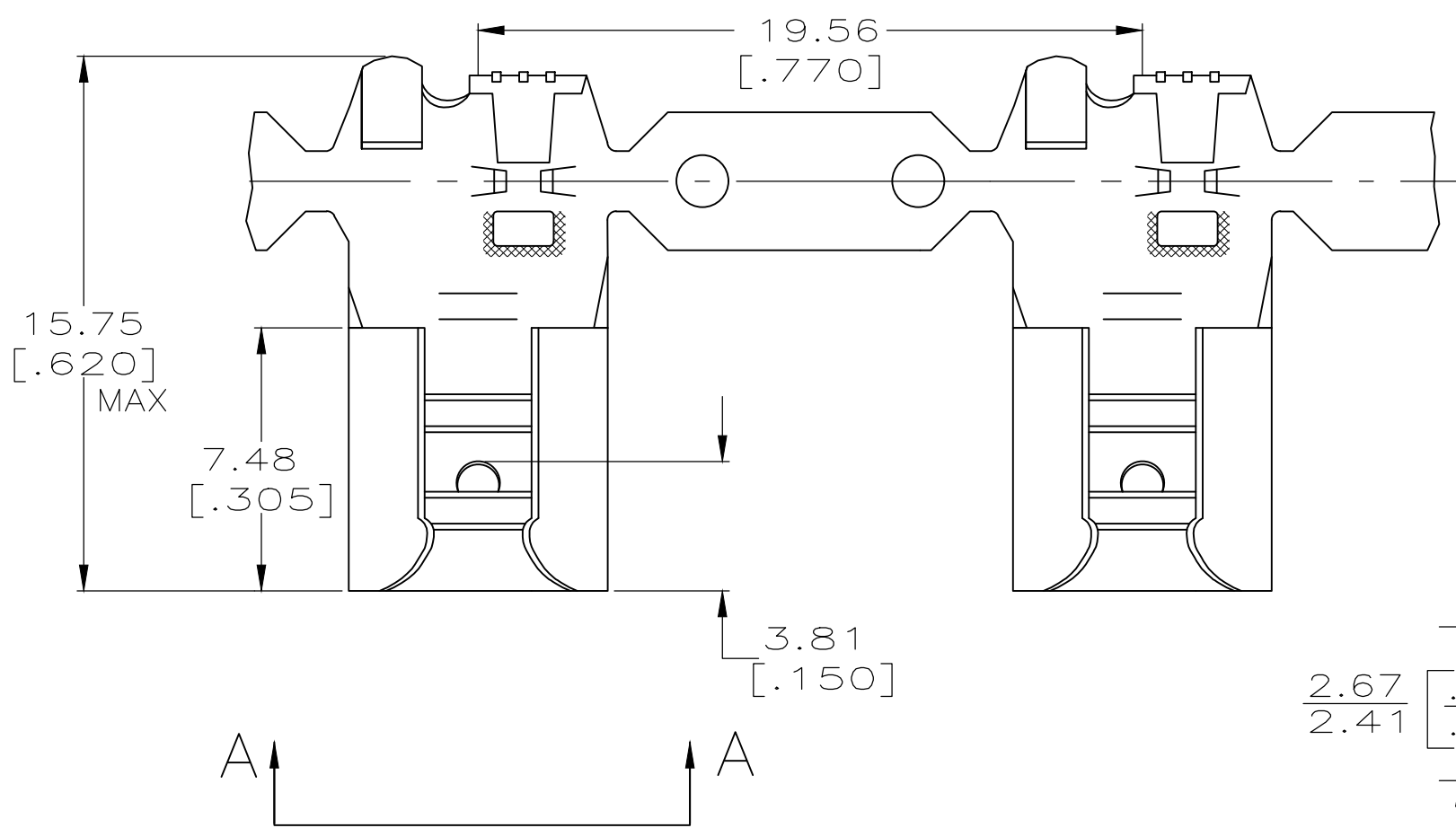
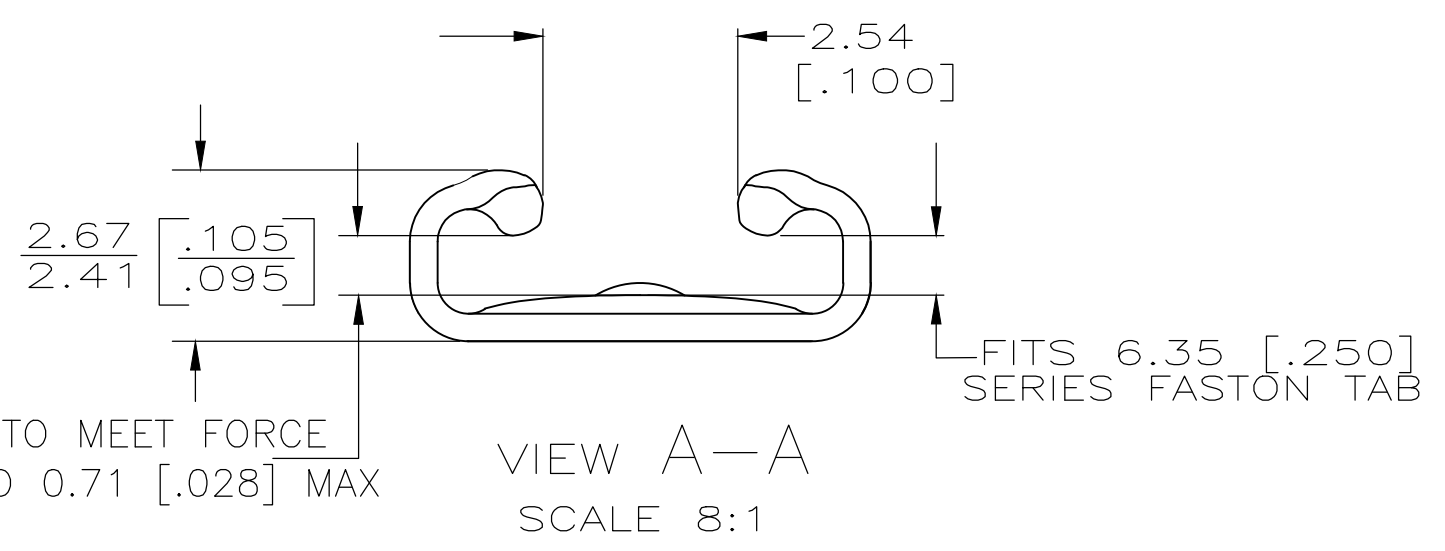


THIS DRAWING IS UNPUBLISHED. RELEASED FOR PUBLICATION
 © COPYRIGHT - By - ALL RIGHTS RESERVED.

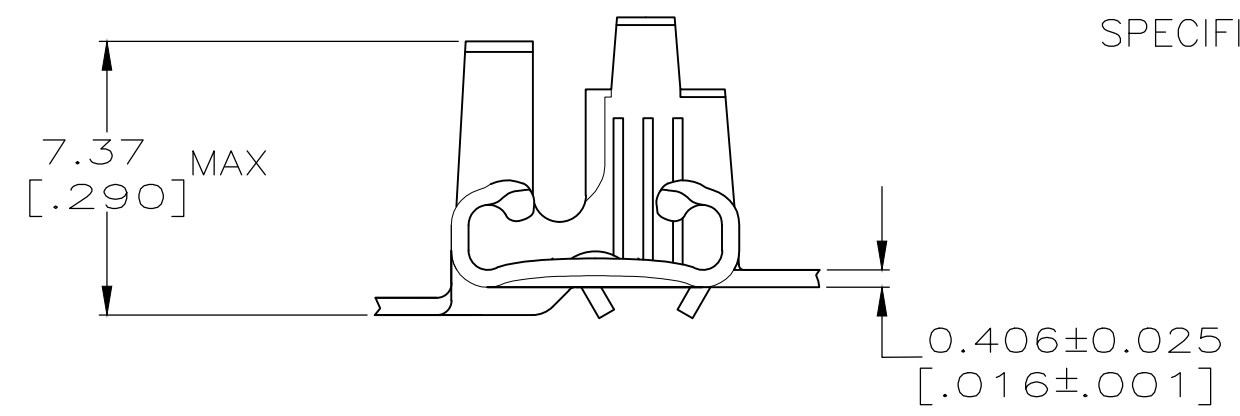
LOC	DIST	REVISIONS			
P	LTR	DESCRIPTION	DATE	DWN	APVD
AF	50	G1	REVISED PER ECR-20-009164	5AUG2020	MK DH



1 CONTINUOUS STRIP ON REELS



GAP AS REQUIRED TO MEET FORCE SPECIFICATIONS AND 0.71 [.028] MAX



1.78-3.30 [.070-.130]	0.3mm ² -1.3mm ² [22-16] AWG	0.84-0.76 [.033-.030]	63577-1
INSULATION RANGE	WIRE RANGE	TAB THK	PART NO

THIS DRAWING IS A CONTROLLED DOCUMENT.		DWN P FORTNEY 5/25/90	STE TE Connectivity	
DIMENSIONS: mm [INCHES]		CHK JR RUTH 5/25/90		
TOLERANCES UNLESS OTHERWISE SPECIFIED:		APVD C MEYERS 5/25/90	NAME RECEPTACLE, FASTON, 6.35 [.250] SERIES FLAG	
0 PLC ± - 1 PLC ± - 2 PLC ± 0.25 [.010] 3 PLC ± 0.25 [.010] 4 PLC ± - ANGLES ± -		PRODUCT SPEC -	APPLICATION SPEC -	
MATERIAL BRASS	FINISH -	WEIGHT -	SIZE A3	CAGE CODE 00779
CUSTOMER DRAWING			DRAWING NO C-63577	RESTRICTED TO -
			SCALE 5:1	SHEET 1 OF 1
			REV G1	