

Keywords: low power, green, accessory detection, comparator, presence sensing, autodetection, selection, portable, automatic jack detection, power budget

APPLICATION NOTE 4327

Keep Power Consumption in Check with Low-Power Comparators that Autosense Plugged-In Accessories

By: Arpit Mehta, Strategic Applications Engineer, Amplifiers & Sensors
Feb 27, 2009

Abstract: Portable electronic devices usually include a single 3- or 4-connector jack which can be a stereo headphone jack, a mono headphone jack with microphone input and hook switch, or a stereo headphone jack with microphone/hook-switch combination. Tiny, ultra-low-power comparators like the MAX9060 series can be configured in various ways not only to consume negligible power, but also to provide small, simple, and cost-effective detection of external accessories.

This article was also featured in [Maxim's Engineering Journal](#), vol. 65 (PDF, 756kB).

A similar article appeared in [Audio DesignLine](#), November 2008.

A common feature in most of the electronic devices used today (cell phones, PDAs, notebooks, handheld media players, game systems, etc.) is the provision for connecting external accessories. The devices, therefore, include dedicated logic circuitry not merely to detect the presence of an accessory, but to identify its type so the internal control circuitry can adjust accordingly.

Adding circuits to implement the autodetection/selection function can increase a system's power budget, and that is a problem. As designers, we need to minimize the power budget to ensure that the systems deliver the "greenest" possible solution with the smallest footprint. To that end, tiny, ultra-low-power comparators such as the MAX9060 series offer the best solution in the semiconductor market. These comparators are key to helping designers stay within their power-consumption budget.

Hardwiring Detects the Presence of a Jack

We begin with a quick review of the basics of automatic jack detection.

Consider a typical headphone-socket circuit (**Figure 1**). Connecting a pullup resistor to the detect pin, as shown here, generates a signal to indicate the presence of a headphone or other external device. In a typical connection, the detect pin is disconnected if an external device is inserted.



Attend this brief webcast by Maxim on TechOnline

The output signal is pulled high when no jack is present and pulled low when the jack is inserted. This detect signal is routed to a microcontroller port, which can then autoswitch the audio signal between a loud speaker (headphone absent) and the headphone speakers (headphone present).

A simple transistor can buffer the detect signal before it reaches the microcontroller input. The transistor also provides any level translation necessary for interfacing with the controller. In space-constrained applications like cell phones and PDAs, a small transistor packaged no larger than a couple of millimeters is preferred. Buffering and level translation can also be implemented with low-cost, low-power comparators in ultra-small packages. Members of the MAX9060 family, for example, come in 1mm × 1mm chip-scale packages and consume just 1μA of current.

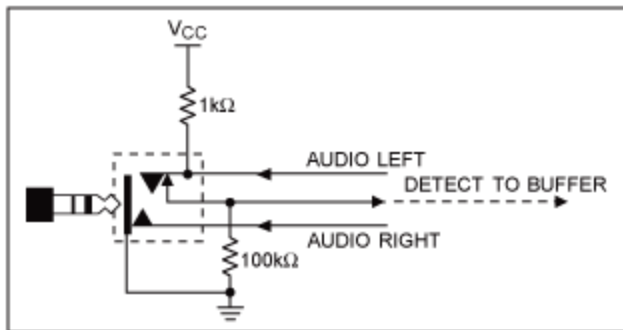


Figure 1. An automatic jack-detection circuit.

Headset Detection

The audio socket in Figure 1 is designed to handle the popular three-conductor audio plug. This plug connects either to a stereo headphone or a mono headset with microphone. You can easily differentiate between the stereo and mono-plus-microphone headset by using the circuits discussed below. These circuits leverage the fact that headphone resistance is low (usually 8Ω, 16Ω, or 32Ω) and that microphone resistance is high (600Ω to 10kΩ).

A brief introduction to the common audio jack and the electret microphone is helpful in understanding these circuits. In a three-conductor audio jack (**Figure 2**), the "tip" carries the left-channel audio for a stereo headphone or the microphone connection for a mono headset with microphone. For stereo headphones, "ring" connects to the right channel and "sleeve" to ground. For a mono headset with microphone, ring connects to the input audio channel for the mono microphone and sleeve connects to ground.

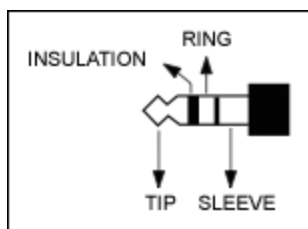


Figure 2. A three-conductor audio jack.

Electret Microphones

A typical electret microphone (**Figure 3**) has a condenser element whose capacitance varies in response

to mechanical vibrations, thereby providing voltage variations proportional to the sound waves. Electret microphones have a permanent, built-in static charge and, therefore, require no external power source. They do, however, require a few volts to power an internal preamplifier FET.

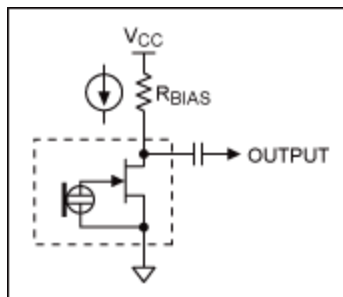


Figure 3. An electrical model of an electret microphone.

The electret microphone appears as a constant-current sink that provides very high output impedance. Its high impedance is then converted by the FET preamplifier to the low impedance necessary for interfacing with the subsequent amplifier. Thus, the electret microphone's low cost, small size, and good sensitivity make it a good choice for applications like hands-free cell-phone headsets and computer sound cards.

The microphone is biased through a resistor (usually $1\text{k}\Omega$ to $10\text{k}\Omega$) and a supply voltage that provides the necessary constant-bias current. This bias current ranges from $100\mu\text{A}$ to about $800\mu\text{A}$, depending on the particular microphone and its manufacturer. The bias resistor is selected according to the applied supply voltage, the desired bias current, and the required sensitivity. Based on these factors, the necessary bias voltage varies from part to part and with operating conditions. A $2.2\text{k}\Omega$ load resistor with 3V supply drawing $100\mu\text{A}$, for example, develops a bias voltage of 2.78V . A similar resistor drawing $800\mu\text{A}$ under similar conditions develops a bias voltage of 1.24V .

To detect the type of headset connected, refer to **Figure 4**. Here a $2.2\text{k}\Omega$ $R_{\text{MIC-BIAS}}$ resistor connects to a low-noise reference voltage from the audio controller ($V_{\text{MIC-REF}}$). When an audio jack is inserted, this $V_{\text{MIC-REF}}$ voltage is applied through $R_{\text{MIC-BIAS}}$ to the tip-to-ground resistance (not shown), thus producing the voltage V_{DETECT} at the noninverting input of the MAX9063. This resistance can be small for stereo headphones (8Ω , 16Ω , or 32Ω), or high due to the microphone's constant-current sink which ranges from $100\mu\text{A}$ to about $800\mu\text{A}$ according to the type of microphone. Because V_{DETECT} varies with the model of headset plugged in, the headset type is detected by monitoring V_{DETECT} with a comparator.

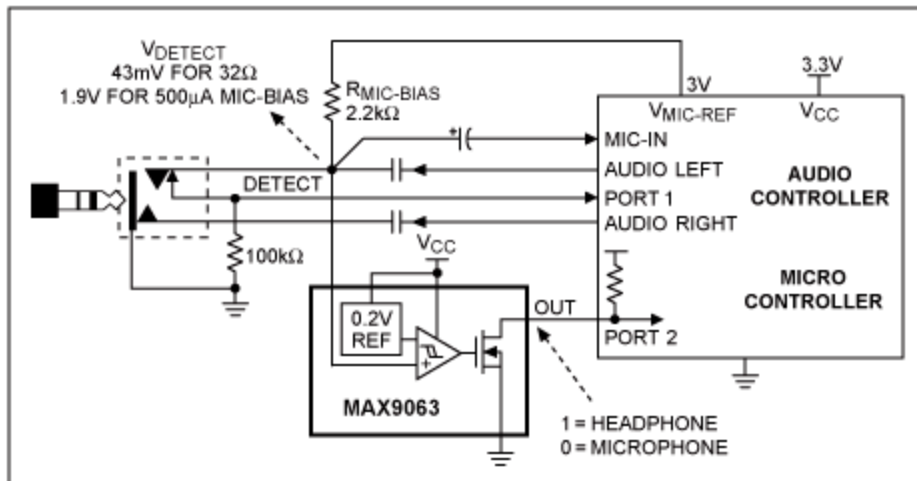


Figure 4. A comparator circuit used for headset detection.

Assuming that the microcontroller's reference voltage ($V_{MIC-REF}$) is 3V as shown, a 32 Ω headphone load produces 43mV at V_{DETECT} . A constant 500 μ A microphone load, however, produces 1.9V. Note that a direct interface for V_{DETECT} can be challenging in most practical cases. Assuming that the CMOS inputs of a typical microcontroller port demand logic levels above $0.7 \times V_{CC}$ and below $0.3 \times V_{CC}$, then the input logic for a controller operating with a 3.3V supply should be above 2.3V and below 1V.

A 1.9V level generated by a 500 μ A microphone load does not qualify as a valid logic 1. Microphone bias currents from 100 μ A to 800 μ A generate V_{DETECT} levels from 2.78V to 1.24V, and any voltage below 2.3V violates the controller's V_{IH} specification (input high level, assuming 2.2k Ω for R_{BIAS}). To get 2.3V or above, the microphone bias current must be 318 μ A or less. Otherwise you must change the 2.2k Ω bias-resistor value which, in turn, changes the sensitivity point of the microphone. Generating a logic low of 1V and below is easy, because headphones with typical 32 Ω loads can easily pull the level close to ground.

To detect the type of headset connected, you therefore feed V_{DETECT} to one input of a comparator and a reference voltage to the other input. The comparator's output state then represents the type of headset.

The comparator for this portable headset-detect application should be tiny and consume little power. The comparator in Figure 4 is just 1mm \times 1mm and draws a maximum supply current of only 1 μ A. Its strong immunity to cell-phone frequencies provides highly reliable operation. The comparator also has internal hysteresis and low-input bias currents. These features make it an excellent choice for headset detection in battery-operated, space- and power-sensitive applications like cell phones, portable media players, and notebook computers.

Hook-Switch Detection

Most hands-free headsets include a switch, usually known as a hook switch, that accepts and ends calls; provides the MUTE/HOLD function; and holds an ongoing call while receiving a second call. The microcontroller controlling the headset needs to detect the status of the hook switch and the presence of the headset. The jack (hence the headset) can be detected automatically (Figure 1). A signal for the hook-switch status can also be generated. Status-detection circuitry for the hook switch comprises a 4-conductor stereo headset with microphone and a parallel hook switch (Figure 5). (A mono headset is similar, but has a 3-pin connector.) In both headset types the tip is connected to the microphone in parallel with the hook switch. As shown, the hook switch presents a low resistance when pressed, and a

high microphone resistance when open. As with the headset detection explained above, an interface between the headphone-detection voltage and the CMOS inputs of the microcontroller can complicate the circuit design for microphone/hook-switch detection.

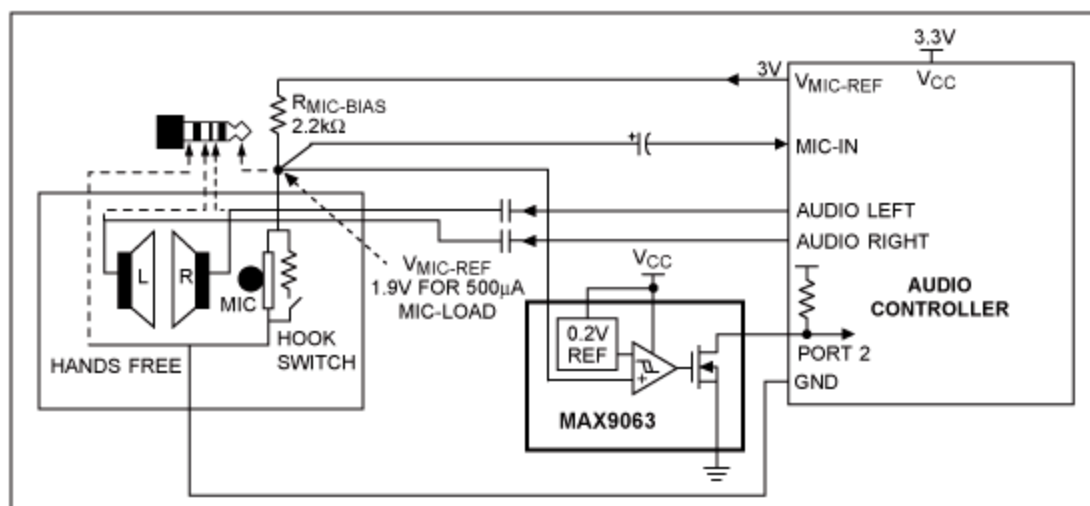


Figure 5. Hook-switch detection circuitry using the MAX9063 comparator.

The voltage V_{DETECT} (Figure 5) is pulled close to ground when the hook switch is pressed, and interpreted as logic 0 by the microcontroller. When the hook switch is open, however, V_{DETECT} may violate the V_{IH} spec for the CMOS inputs. Those V_{DETECT} inputs can vary between 1.24V and 2.78V, depending on the value of $R_{MIC-BIAS}$ (2.2k Ω in this case) and the type of microphone in the headset.

Thus, a direct interface between the hook switch and the controller is not possible for all microphone types. Instead, a low-power comparator can be used as in Figure 5. Here the reference level is set to detect a given type of microphone, while also indicating the status of the hook switch. The comparator output is pulled high when the hook switch is pressed, and pulled low when the switch is open. Again, the MAX9060 series of comparators provides a low-power solution for these hook-switch-detect applications.

The scope shot of **Figure 6** is triggered by pressing the hook switch of a mono headset. The setup is identical to that of Figure 5, but a 2.5mm universal headset for cell phones is used for the test. The headset tip has an electret microphone with hook switch and 32 Ω speaker connected to its ring. That microphone draws a constant bias current of 212 μ A when powered with a 3V supply through the 2.2k Ω bias resistor.

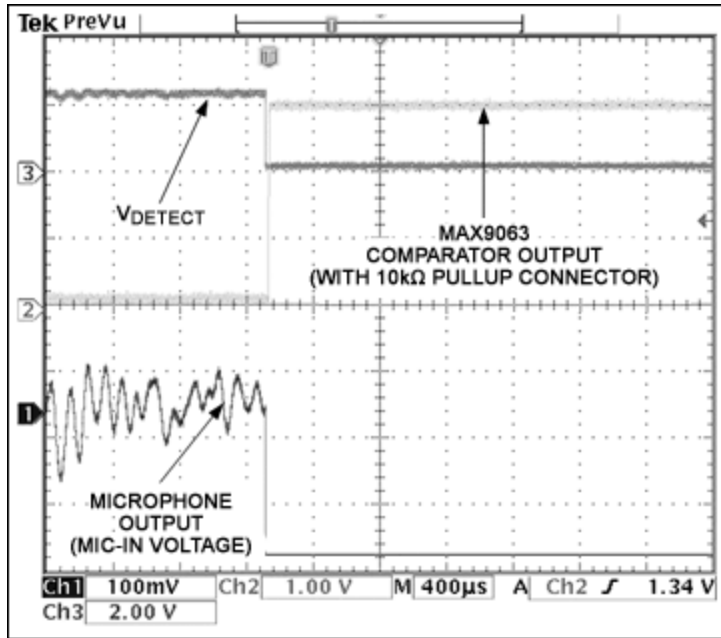


Figure 6. These waveforms are taken from an electret microphone with hook switch, controlled by a mono headset and its internal control circuitry. When the hook switch of a mono headphone is pressed, the comparator detects the shorted microphone, thereby allowing its output to be pulled to a logic high.

The DC voltage observed at V_{DETECT} is 2.52V (Figure 6), which causes the MAX9063's output to assert low. Pressing the hook switch grounds V_{DETECT} , allowing the output to be pulled high by an external 10kΩ pullup resistor. Thus, the MAX9063 comparator in its tiny 1mm × 1mm CSP package is well suited for detecting hook switches and accessories. The MAX9028 comparator family is also suitable for these applications.

Summary

There is a common need for detecting jacks, headsets, and hook switches in portable applications. Dedicated comparators such as the MAX9063 and MAX9028 series devices are ideal for those applications, especially as they occupy very little real estate and consume negligible power. These comparators offer an economical solution for detection circuitry in portable applications.

Related Parts

MAX9028	UCSP, 1.8V, Nanopower, Beyond-the-Rails Comparators With/Without Reference	Free Samples
MAX9060	Ultra-Small, Low-Power Single Comparators in 4-Bump UCSP and 5-SOT23	Free Samples
MAX9063	Ultra-Small, Low-Power Single Comparators in 4-Bump UCSP and 5-SOT23	Free Samples

More Information

For Technical Support: <http://www.maximintegrated.com/support>

For Samples: <http://www.maximintegrated.com/samples>
Other Questions and Comments: <http://www.maximintegrated.com/contact>

Application Note 4327: <http://www.maximintegrated.com/an4327>
APPLICATION NOTE 4327, AN4327, AN 4327, APP4327, Appnote4327, Appnote 4327
Copyright © by Maxim Integrated Products
Additional Legal Notices: <http://www.maximintegrated.com/legal>