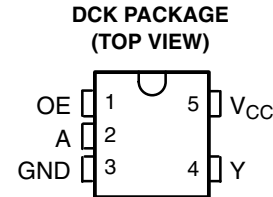


SN74AHCT1G126-Q1 SINGLE BUS BUFFER GATE WITH 3-STATE OUTPUT

SCLS505B – JUNE 2003 – REVISED FEBRUARY 2008

- Qualified for Automotive Applications
- ESD Protection Exceeds 2000 V Per MIL-STD-883, Method 3015; Exceeds 200 V Using Machine Model (C = 200 pF, R = 0), 1000-V Charged-Device Model
- Operating Range of 3 V to 5.5 V
- Max t_{pd} of 6 ns at 5 V
- Low Power Consumption, 10- μ A Max I_{CC}
- ± 8 -mA Output Drive at 5 V
- Inputs Are TTL-Voltage Compatible



description/ordering information

The SN74AHCT1G126 is a single bus buffer gate/line driver with 3-state output. The output is disabled when the output-enable (OE) input is low. When OE is high, true data is passed from the A input to the Y output.

To ensure the high-impedance state during power up or power down, OE should be tied to GND through a pulldown resistor; the minimum value of the resistor is determined by the current-sourcing capability of the driver.

ORDERING INFORMATION†

| T_A | PACKAGE‡ | ORDERABLE PART NUMBER | TOP-SIDE MARKING§ |
|----------------|-----------------------------------|-----------------------|-------------------|
| -40°C to 125°C | SOT (SC-70) – DCK Reel of 3000 | CAHCT1G126QDCKRQ1 | BN_ |

† For the most current package and ordering information, see the Package Option Addendum at the end of this document, or see the TI web site at <http://www.ti.com>.

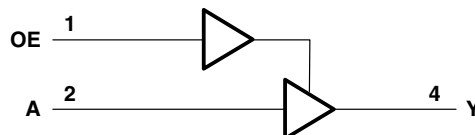
‡ Package drawings, thermal data, and symbolization are available at <http://www.ti.com/packaging>.

§ The actual top-side marking has one additional character that designates the assembly/test site.

FUNCTION TABLE

| INPUTS | | OUTPUT |
|--------|---|--------|
| OE | A | Y |
| H | H | H |
| H | L | L |
| L | X | Z |

logic diagram (positive logic)



Please be aware that an important notice concerning availability, standard warranty, and use in critical applications of Texas Instruments semiconductor products and disclaimers thereto appears at the end of this data sheet.

PRODUCTION DATA information is current as of publication date. Products conform to specifications per the terms of Texas Instruments standard warranty. Production processing does not necessarily include testing of all parameters.

 **TEXAS
INSTRUMENTS**

POST OFFICE BOX 655303 • DALLAS, TEXAS 75265

Copyright © 2008, Texas Instruments Incorporated

SN74AHCT1G126-Q1

SINGLE BUS BUFFER GATE

WITH 3-STATE OUTPUT

SCLS505B – JUNE 2003 – REVISED FEBRUARY 2008

absolute maximum ratings over operating free-air temperature range (unless otherwise noted)[†]

| | |
|--|----------------------------|
| Supply voltage range, V_{CC} | -0.5 V to 7 V |
| Input voltage range, V_I (see Note 1) | -0.5 V to 7 V |
| Output voltage range, V_O (see Note 1) | -0.5 V to $V_{CC} + 0.5$ V |
| Input clamp current, I_{IK} ($V_I < 0$) | -20 mA |
| Output clamp current, I_{OK} ($V_O < 0$ or $V_O > V_{CC}$) | ±20 mA |
| Continuous output current, I_O ($V_O = 0$ to V_{CC}) | ±25 mA |
| Continuous current through V_{CC} or GND | ±50 mA |
| Package thermal impedance, θ_{JA} (see Note 2) | 252°C/W |
| Storage temperature range, T_{stg} | -65°C to 150°C |

[†] Stresses beyond those listed under “absolute maximum ratings” may cause permanent damage to the device. These are stress ratings only, and functional operation of the device at these or any other conditions beyond those indicated under “recommended operating conditions” is not implied. Exposure to absolute-maximum-rated conditions for extended periods may affect device reliability.

- NOTES: 1. The input and output voltage ratings may be exceeded if the input and output current ratings are observed.
 2. The package thermal impedance is calculated in accordance with JESD 51-7.

recommended operating conditions (see Note 3)

| | | MIN | MAX | UNIT |
|---------------------|------------------------------------|---------------------------|----------|------|
| V_{CC} | Supply voltage | 3 | 5.5 | V |
| V_{IH} | High-level input voltage | $V_{CC} = 3.0$ V | 1.4 | V |
| | | $V_{CC} = 4.5$ V to 5.5 V | 2 | |
| V_{IL} | Low-level input voltage | $V_{CC} = 3.0$ V | 0.53 | V |
| | | $V_{CC} = 4.5$ V to 5.5 V | 0.8 | |
| V_I | Input voltage | 0 | 5.5 | V |
| V_O | Output voltage | 0 | V_{CC} | V |
| I_{OH} | High-level output current | | -8 | mA |
| I_{OL} | Low-level output current | | 8 | mA |
| $\Delta t/\Delta v$ | Input transition rise or fall rate | | 20 | ns/V |
| T_A | Operating free-air temperature | -40 | 125 | °C |

NOTE 3: All unused inputs of the device must be held at V_{CC} or GND to ensure proper device operation. Refer to the TI application report, *Implications of Slow or Floating CMOS Inputs*, literature number SCBA004.



SN74AHCT1G126-Q1 SINGLE BUS BUFFER GATE WITH 3-STATE OUTPUT

SCLS505B – JUNE 2003 – REVISED FEBRUARY 2008

electrical characteristics over recommended operating free-air temperature range (unless otherwise noted)

| PARAMETER | TEST CONDITIONS | V _{CC} | T _A = 25°C | | | MIN | MAX | UNIT |
|-------------------------------|---|-----------------|-----------------------|-----|-----|-------|------|------|
| | | | MIN | TYP | MAX | | | |
| V _{OH} | I _{OH} = -50 μA | 3 V | 2.9 | 3 | | 2.9 | V | |
| | | 4.5 V | 4.4 | 4.5 | | 4.4 | | |
| | I _{OH} = -4 mA | 3 V | 2.58 | | | 2.34 | | |
| | | 4.5 V | 3.94 | | | 3.66 | | |
| V _{OL} | I _{OL} = 50 μA | 3 V and 4.5 V | | | | 0.1 | V | |
| | | 3 V | | | | 0.36 | | |
| | I _{OL} = 8 mA | 4.5 V | | | | 0.36 | | |
| I _I | V _I = 5.5 V or GND | 0 V to 5.5 V | | | | ±0.1 | ±1 | μA |
| I _{OZ} | V _O = V _{CC} or GND | 5.5 V | | | | ±0.25 | ±2.5 | μA |
| I _{CC} | V _I = V _{CC} or GND, I _O = 0, OE high or low | 3 V and 5.5 V | | | | 1 | 10 | μA |
| ΔI _{CC} [†] | One input at 3.4 V, Other input at V _{CC} or GND | 5.5 V | | | | 1.35 | 1.5 | mA |
| C _i | V _I = V _{CC} or GND | 5 V | | | | 4 | 10 | pF |
| C _o | V _O = V _{CC} or GND | 5 V | | | | 10 | | pF |

[†] This is the increase in supply current for each input at one of the specified TTL voltage levels, rather than 0 V or V_{CC}.

switching characteristics over recommended operating free-air temperature range, V_{CC} = 3 V ± 0.3 V (unless otherwise noted) (see Figure 1)

| PARAMETER | FROM (INPUT) | TO (OUTPUT) | LOAD CAPACITANCE | T _A = 25°C | | | MIN | MAX | UNIT |
|------------------|--------------|-------------|------------------------|-----------------------|-----|-----|------|------|------|
| | | | | MIN | TYP | MAX | | | |
| t _{PLH} | A | Y | C _L = 15 pF | 5.6 | | | 8 | 12 | ns |
| t _{PHL} | | | | 5.6 | | | 8 | 12 | |
| t _{PZH} | OE | Y | C _L = 15 pF | 5.4 | | | 8 | 11.5 | ns |
| t _{PZL} | | | | 5.4 | | | 8 | 11.5 | |
| t _{PHZ} | OE | Y | C _L = 15 pF | 6.5 | | | 9.7 | 14.5 | ns |
| t _{PLZ} | | | | 6.5 | | | 9.7 | 14.5 | |
| t _{PLH} | A | Y | C _L = 50 pF | 8.1 | | | 11.5 | 16 | ns |
| t _{PHL} | | | | 8.1 | | | 11.5 | 16 | |
| t _{PZH} | OE | Y | C _L = 50 pF | 7.9 | | | 11.5 | 15 | ns |
| t _{PZL} | | | | 7.9 | | | 11.5 | 15 | |
| t _{PHZ} | OE | Y | C _L = 50 pF | 8 | | | 13.2 | 18 | ns |
| t _{PLZ} | | | | 8 | | | 13.2 | 18 | |



SN74AHCT1G126-Q1

SINGLE BUS BUFFER GATE

WITH 3-STATE OUTPUT

SCLS505B – JUNE 2003 – REVISED FEBRUARY 2008

switching characteristics over recommended operating free-air temperature range,
 $V_{CC} = 5\text{ V} \pm 0.5\text{ V}$ (unless otherwise noted) (see Figure 1)

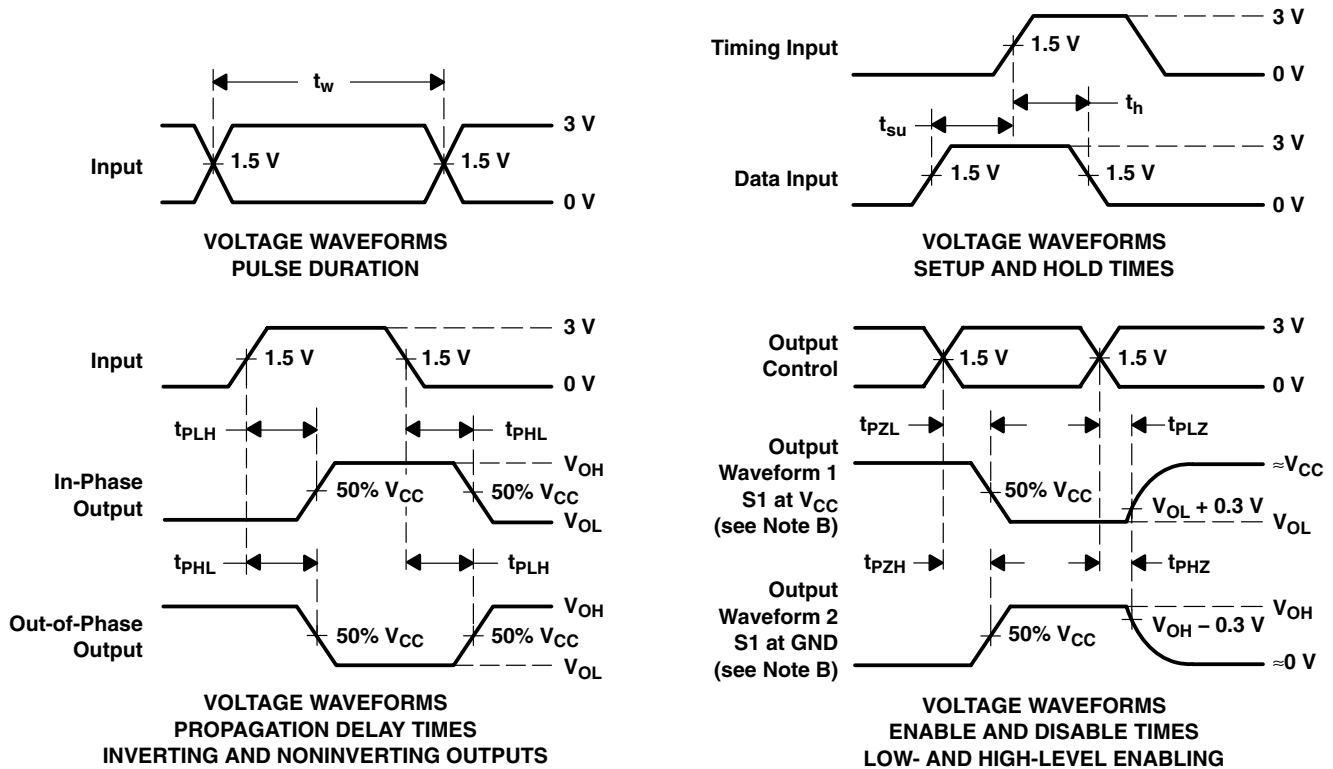
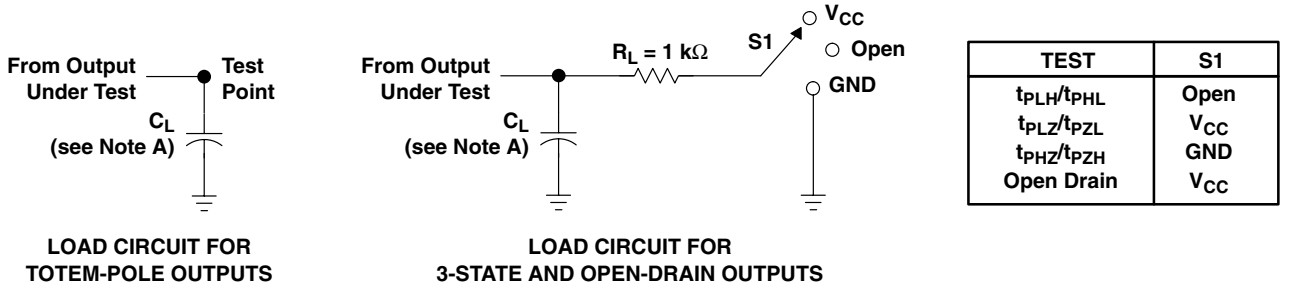
| PARAMETER | FROM (INPUT) | TO (OUTPUT) | LOAD CAPACITANCE | $T_A = 25^\circ\text{C}$ | | | MIN | MAX | UNIT |
|-----------|--------------|-------------|----------------------|--------------------------|-----|------|-----|-----|------|
| | | | | MIN | TYP | MAX | | | |
| t_{PLH} | A | Y | $C_L = 15\text{ pF}$ | 3.8 | 5.5 | 8.5 | ns | | |
| t_{PHL} | | | | 3.8 | 5.5 | 8.5 | | | |
| t_{PZH} | OE | Y | $C_L = 15\text{ pF}$ | 3.6 | 5.1 | 7.5 | ns | | |
| t_{PZL} | | | | 3.6 | 5.1 | 7.5 | | | |
| t_{PHZ} | OE | Y | $C_L = 15\text{ pF}$ | 4.8 | 6.8 | 10 | ns | | |
| t_{PLZ} | | | | 4.8 | 6.8 | 10 | | | |
| t_{PLH} | A | Y | $C_L = 50\text{ pF}$ | 5.3 | 7.5 | 10.5 | ns | | |
| t_{PHL} | | | | 5.3 | 7.5 | 10.5 | | | |
| t_{PZH} | OE | Y | $C_L = 50\text{ pF}$ | 5.1 | 7.1 | 9.5 | ns | | |
| t_{PZL} | | | | 5.1 | 7.1 | 9.5 | | | |
| t_{PHZ} | OE | Y | $C_L = 50\text{ pF}$ | 7 | 8.8 | 12 | ns | | |
| t_{PLZ} | | | | 7 | 8.8 | 12 | | | |

operating characteristics, $V_{CC} = 5\text{ V}$, $T_A = 25^\circ\text{C}$

| PARAMETER | TEST CONDITIONS | TYP | UNIT |
|--|-----------------------------|-----|------|
| C_{pd} Power dissipation capacitance | No load, $f = 1\text{ MHz}$ | 14 | pF |



PARAMETER MEASUREMENT INFORMATION



- NOTES:
- A. C_L includes probe and jig capacitance.
 - B. Waveform 1 is for an output with internal conditions such that the output is low except when disabled by the output control. Waveform 2 is for an output with internal conditions such that the output is high except when disabled by the output control.
 - C. All input pulses are supplied by generators having the following characteristics: PRR \leq 1 MHz, $Z_O = 50 \Omega$, $t_r \leq 3$ ns, $t_f \leq 3$ ns.
 - D. The outputs are measured one at a time with one input transition per measurement.
 - E. All parameters and waveforms are not applicable to all devices.

Figure 1. Load Circuit and Voltage Waveforms

PACKAGING INFORMATION

| Orderable Device | Status (1) | Package Type | Package Drawing | Pins | Package Qty | Eco Plan (2) | Lead finish/ Ball material (6) | MSL Peak Temp (3) | Op Temp (°C) | Device Marking (4/5) | Samples |
|--------------------|---------------|--------------|-----------------|------|-------------|-----------------|--------------------------------------|----------------------|--------------|-------------------------|-------------------------|
| CAHCT1G126QDCKRG4 | ACTIVE | SC70 | DCK | 5 | 3000 | RoHS & Green | NIPDAU | Level-1-260C-UNLIM | -40 to 125 | BNU | Samples |
| CAHCT1G126QDCKRG4Q | ACTIVE | SC70 | DCK | 5 | 3000 | RoHS & Green | NIPDAU | Level-1-260C-UNLIM | -40 to 125 | BNS | Samples |
| CAHCT1G126QDCKRQ1 | ACTIVE | SC70 | DCK | 5 | 3000 | RoHS & Green | NIPDAU | Level-1-260C-UNLIM | -40 to 125 | BNS | Samples |

(1) The marketing status values are defined as follows:

ACTIVE: Product device recommended for new designs.

LIFEBUY: TI has announced that the device will be discontinued, and a lifetime-buy period is in effect.

NRND: Not recommended for new designs. Device is in production to support existing customers, but TI does not recommend using this part in a new design.

PREVIEW: Device has been announced but is not in production. Samples may or may not be available.

OBSOLETE: TI has discontinued the production of the device.

(2) **RoHS:** TI defines "RoHS" to mean semiconductor products that are compliant with the current EU RoHS requirements for all 10 RoHS substances, including the requirement that RoHS substance do not exceed 0.1% by weight in homogeneous materials. Where designed to be soldered at high temperatures, "RoHS" products are suitable for use in specified lead-free processes. TI may reference these types of products as "Pb-Free".

RoHS Exempt: TI defines "RoHS Exempt" to mean products that contain lead but are compliant with EU RoHS pursuant to a specific EU RoHS exemption.

Green: TI defines "Green" to mean the content of Chlorine (Cl) and Bromine (Br) based flame retardants meet JS709B low halogen requirements of <=1000ppm threshold. Antimony trioxide based flame retardants must also meet the <=1000ppm threshold requirement.

(3) MSL, Peak Temp. - The Moisture Sensitivity Level rating according to the JEDEC industry standard classifications, and peak solder temperature.

(4) There may be additional marking, which relates to the logo, the lot trace code information, or the environmental category on the device.

(5) Multiple Device Markings will be inside parentheses. Only one Device Marking contained in parentheses and separated by a "~" will appear on a device. If a line is indented then it is a continuation of the previous line and the two combined represent the entire Device Marking for that device.

(6) Lead finish/Ball material - Orderable Devices may have multiple material finish options. Finish options are separated by a vertical ruled line. Lead finish/Ball material values may wrap to two lines if the finish value exceeds the maximum column width.

Important Information and Disclaimer:The information provided on this page represents TI's knowledge and belief as of the date that it is provided. TI bases its knowledge and belief on information provided by third parties, and makes no representation or warranty as to the accuracy of such information. Efforts are underway to better integrate information from third parties. TI has taken and continues to take reasonable steps to provide representative and accurate information but may not have conducted destructive testing or chemical analysis on incoming materials and chemicals. TI and TI suppliers consider certain information to be proprietary, and thus CAS numbers and other limited information may not be available for release.

In no event shall TI's liability arising out of such information exceed the total purchase price of the TI part(s) at issue in this document sold by TI to Customer on an annual basis.

OTHER QUALIFIED VERSIONS OF SN74AHCT1G126-Q1 :

- Catalog: [SN74AHCT1G126](#)

NOTE: Qualified Version Definitions:

- Catalog - TI's standard catalog product

TAPE AND REEL INFORMATION

QUADRANT ASSIGNMENTS FOR PIN 1 ORIENTATION IN TAPE


*All dimensions are nominal

| Device | Package Type | Package Drawing | Pins | SPQ | Reel Diameter (mm) | Reel Width W1 (mm) | A0 (mm) | B0 (mm) | K0 (mm) | P1 (mm) | W (mm) | Pin1 Quadrant |
|-------------------|--------------|-----------------|------|------|--------------------|--------------------|---------|---------|---------|---------|--------|---------------|
| CAHCT1G126QDCKRG4 | SC70 | DCK | 5 | 3000 | 179.0 | 8.4 | 2.2 | 2.5 | 1.2 | 4.0 | 8.0 | Q3 |

TAPE AND REEL BOX DIMENSIONS

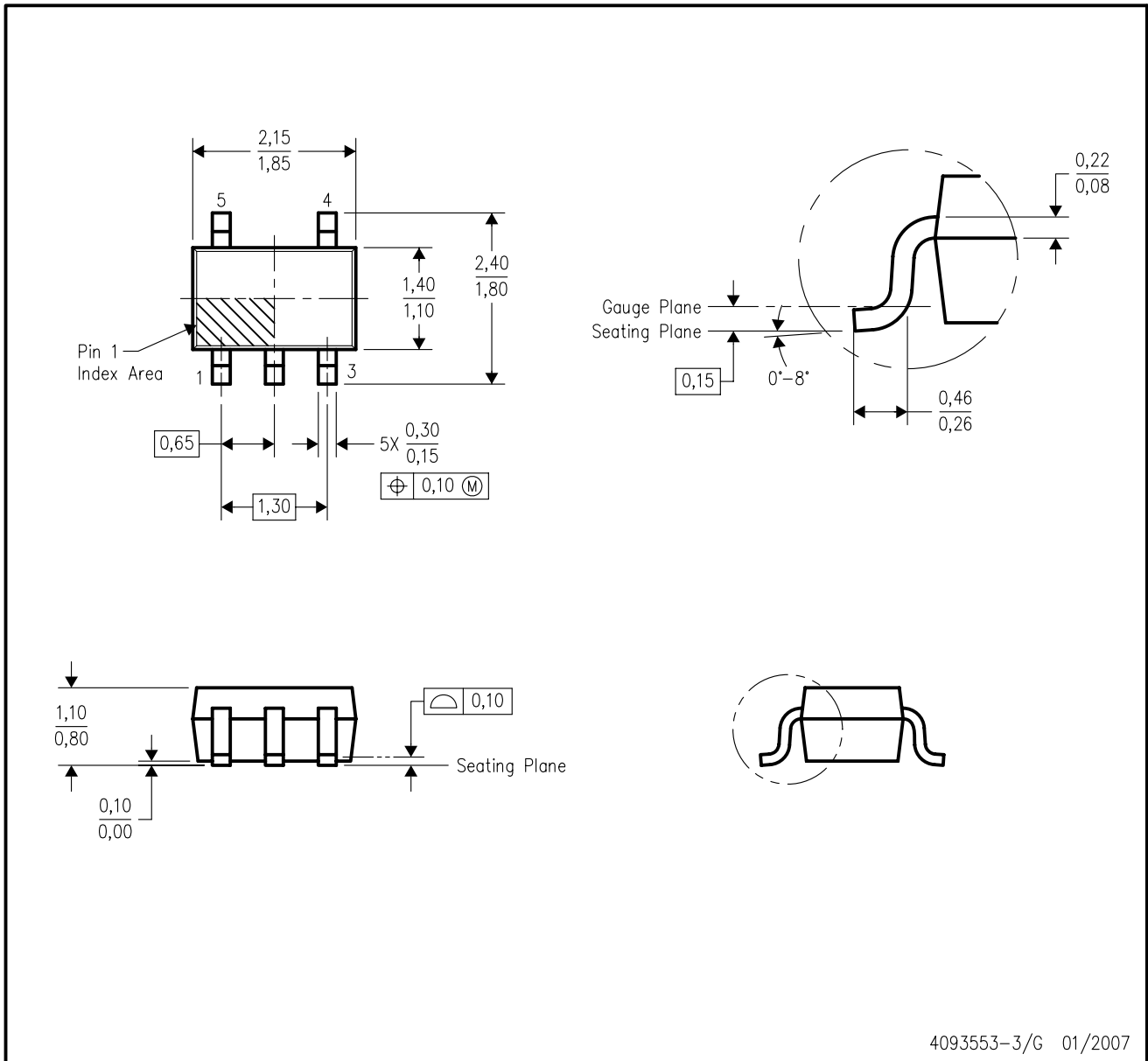


*All dimensions are nominal

| Device | Package Type | Package Drawing | Pins | SPQ | Length (mm) | Width (mm) | Height (mm) |
|-------------------|--------------|-----------------|------|------|-------------|------------|-------------|
| CAHCT1G126QDCKRG4 | SC70 | DCK | 5 | 3000 | 200.0 | 183.0 | 25.0 |

DCK (R-PDSO-G5)

PLASTIC SMALL-OUTLINE PACKAGE



- NOTES:
- All linear dimensions are in millimeters.
 - This drawing is subject to change without notice.
 - Body dimensions do not include mold flash or protrusion. Mold flash and protrusion shall not exceed 0.15 per side.
 - Falls within JEDEC MO-203 variation AA.

DCK (R-PDSO-G5)

PLASTIC SMALL OUTLINE



- NOTES:
- All linear dimensions are in millimeters.
 - This drawing is subject to change without notice.
 - Customers should place a note on the circuit board fabrication drawing not to alter the center solder mask defined pad.
 - Publication IPC-7351 is recommended for alternate designs.
 - Laser cutting apertures with trapezoidal walls and also rounding corners will offer better paste release. Customers should contact their board assembly site for stencil design recommendations. Example stencil design based on a 50% volumetric metal load solder paste. Refer to IPC-7525 for other stencil recommendations.

IMPORTANT NOTICE AND DISCLAIMER

TI PROVIDES TECHNICAL AND RELIABILITY DATA (INCLUDING DATASHEETS), DESIGN RESOURCES (INCLUDING REFERENCE DESIGNS), APPLICATION OR OTHER DESIGN ADVICE, WEB TOOLS, SAFETY INFORMATION, AND OTHER RESOURCES "AS IS" AND WITH ALL FAULTS, AND DISCLAIMS ALL WARRANTIES, EXPRESS AND IMPLIED, INCLUDING WITHOUT LIMITATION ANY IMPLIED WARRANTIES OF MERCHANTABILITY, FITNESS FOR A PARTICULAR PURPOSE OR NON-INFRINGEMENT OF THIRD PARTY INTELLECTUAL PROPERTY RIGHTS.

These resources are intended for skilled developers designing with TI products. You are solely responsible for (1) selecting the appropriate TI products for your application, (2) designing, validating and testing your application, and (3) ensuring your application meets applicable standards, and any other safety, security, or other requirements. These resources are subject to change without notice. TI grants you permission to use these resources only for development of an application that uses the TI products described in the resource. Other reproduction and display of these resources is prohibited. No license is granted to any other TI intellectual property right or to any third party intellectual property right. TI disclaims responsibility for, and you will fully indemnify TI and its representatives against, any claims, damages, costs, losses, and liabilities arising out of your use of these resources.

TI's products are provided subject to TI's Terms of Sale (<https://www.ti.com/legal/termsofsale.html>) or other applicable terms available either on [ti.com](https://www.ti.com) or provided in conjunction with such TI products. TI's provision of these resources does not expand or otherwise alter TI's applicable warranties or warranty disclaimers for TI products.

Mailing Address: Texas Instruments, Post Office Box 655303, Dallas, Texas 75265
Copyright © 2021, Texas Instruments Incorporated